

# Café VII

TM

Model 684/685



## Parts Manual

**CRANE®** National Vendors

12955 Enterprise Way  
Bridgeton, Missouri 63044-1200  
(314) 298-3500  
[www.nationalvendors.com](http://www.nationalvendors.com)



# List of Figures

Figure	Title	Page
1.	Café VII Merchandiser .....	2
2.	Door Assembly Part 1 .....	4
3.	Door Assembly Part 2 .....	6
10.	Upper Cabinet Assembly - Top .....	14
11.	Upper Cabinet Assembly Part 2 .....	16
12.	Upper Cabinet Assembly Part 3 .....	18
13.	Upper Cabinet Assembly Part 4 .....	20
14.	Interlock and Float Switches .....	22
15.	Brewer Assembly .....	24
16.	Idler Axle and Roller Assemblies .....	26
17.	Carrier and Cam Follower Assembly .....	28
18.	Canister/Product Dispensing .....	30
19.	Mixing Bowl and Whipper Assemblies .....	34
20.	Dispensing Spouts .....	36
21.	Blower Assembly .....	38
22.	Canister Assembly - Freeze Dried Coffee .....	40
23.	Canister Assembly - Preground Coffee .....	42
24.	Canister Assembly - No Sleeve .....	44
25.	Canister Assembly - Chocolate .....	46
26.	Water Tank Assembly .....	48
27.	Float Assembly - Water Tank .....	50
28.	Power Panel and Support Assembly-115V .....	52
29.	Everpure Water Valve and Filter Option .....	54
30.	Hydrolife Water Valve and Filter Option .....	56
31.	Brewer Drive and Pump Assemblies .....	58
32.	Upper Cabinet Fan Accessory .....	60
33.	Filter Paper Housing Assembly .....	62
34.	Base/Storage Cabinet Options - Part 1 .....	64
35.	Base/Storage Cabinet Options - Part 2 .....	66
36.	Door - Base Storage Cabinet .....	68
37.	Bottled Water Pump Option .....	70



# List of Tables

Table	Title	Page
1.	Café VII Merchandiser .....	3
2.	Door Assembly Part 1 .....	5
3.	Door Assembly Part 2 .....	7
4.	Bag Assembly B6840000 - USA .....	8
7.	Coin Insert Assembly.....	11
10.	Upper cabinet assembly part 1 .....	15
11.	Upper Cabinet Assembly Part 2.....	17
12.	Upper Cabinet Assembly Part 3.....	19
13.	Upper Cabinet Assembly Part 4.....	21
14.	Interlock and Float Switches.....	23
15.	Brewer Assembly.....	25
16.	Idler Axle and Roller Assemblies .....	27
17.	Carrier and Cam Follower Assembly .....	29
18.	Canister/Product Dispensing.....	31
19.	Mixing Bowl and Whipper Assemblies.....	35
20.	Dispensing Spouts.....	37
21.	Blower Assembly.....	39
22.	Canister Assembly - Freeze Dried Coffee .....	41
23.	Canister Assembly - Preground Coffee .....	43
24.	Canister Assembly - No Sleeve .....	45
25.	Canister Assembly - Chocolate.....	47
26.	Water Tank Assembly .....	49
27.	Float Assembly - Water Tank .....	51
28.	Power Panel and Support Assembly-115V .....	53
29.	Everpure Water Valve and Filter Option .....	55
30.	Hydrolife Water Valve and Filter Option .....	57
31.	Brewer Drive and Pump Assemblies .....	59
32.	Upper Cabinet Fan Accessory .....	61
33.	Filter Paper Housing Assembly .....	63
34.	Base/Storage Cabinet Options - Part 1 .....	65
35.	Base/Storage Cabinet Options - Part 2 .....	67
36.	Door - Base Storage Cabinet .....	69
37.	Bottled Water Pump Option .....	71





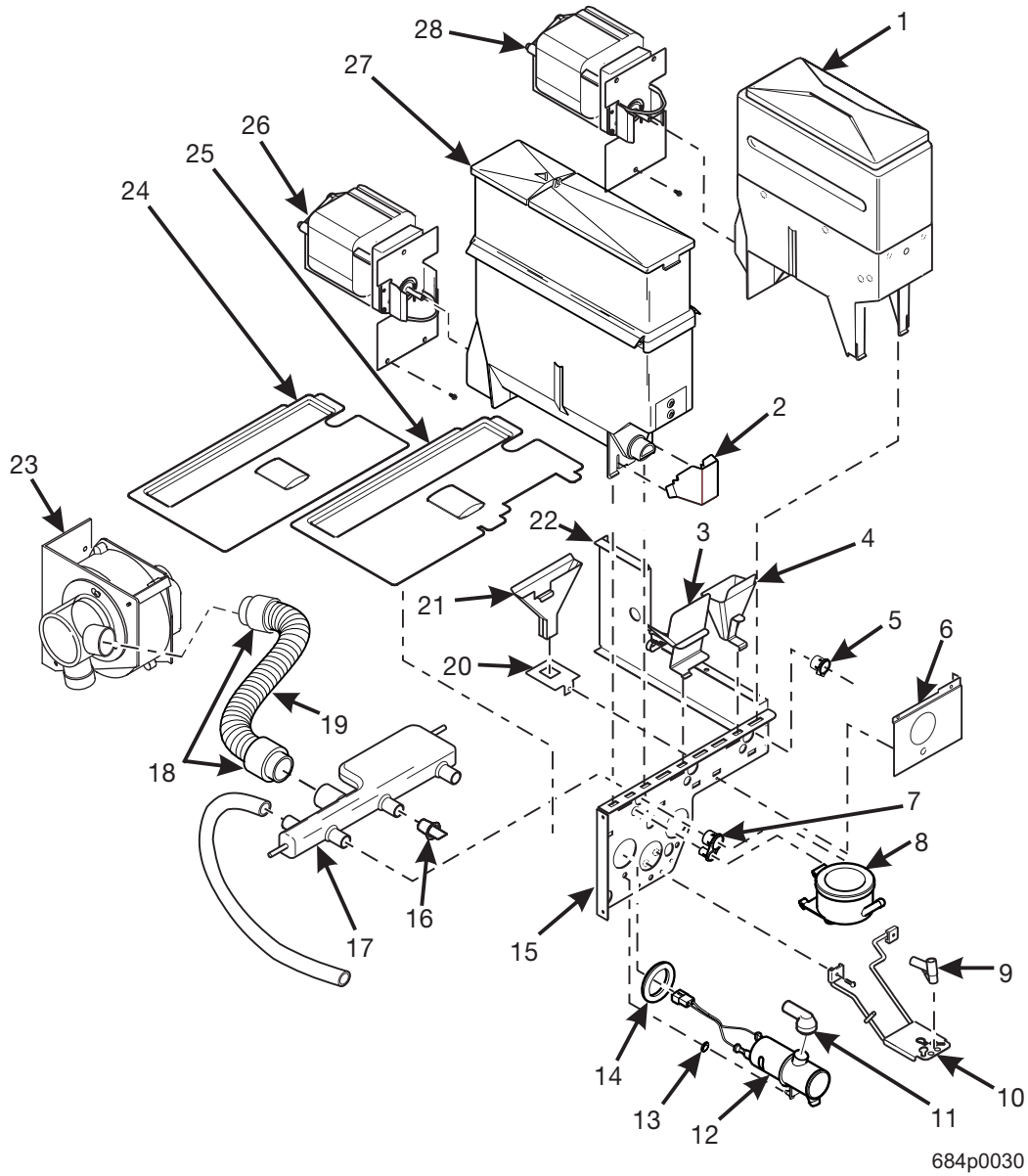


Figure 1. Café VII Merchandiser



**TABLE 1. CAFÉ VII MERCHANDISER**

INDEX	PART NUMBER	DESCRIPTION	QTY
-	-	CAFE 7 MERCHANDISER	1
1	-	CABINET ASSEMBLY (FIGURES 10, 11, 12, 13)	1
2	-	DOOR ASSEMBLY (FIGURES 2, 3)	1
3	P6400826	CARAFE	OPT
4	-	CABINET - BASE - STORAGE (FIGURES 34, 35)	-
5	6840033	SHELF ASSY-COND.SPPT-CHARCOAL	OPT
	6840031	SHELF ASSY-COND.SPPT-GLACIER SILVER	
	6840032	SHELF ASSY-COND.SPPT-WARM WHT.	
6	6400093	CONDIMENT AND NAPKIN TRAY	OPT
7	6840034	CUP DISP WRAP ASSY-GLACIER SILVER	OPT
	6840036	CUP DISP WRAP ASSY-WARM WHITE	
	6840038	CUP DISP WRAP ASSY-CHARCOAL	
8	6400025	DISPENSER - CUP - SMALL - GRAVITY FEED	OPT
	6400026	DISPENSER - CUP - LARGE - GRAVITY FEED	
-	-	BOTTLED WATER PUMP PACKAGE (FIGURE 37)	OPT
-	-	WIRING HARNESSSES (TABLE 39)	-

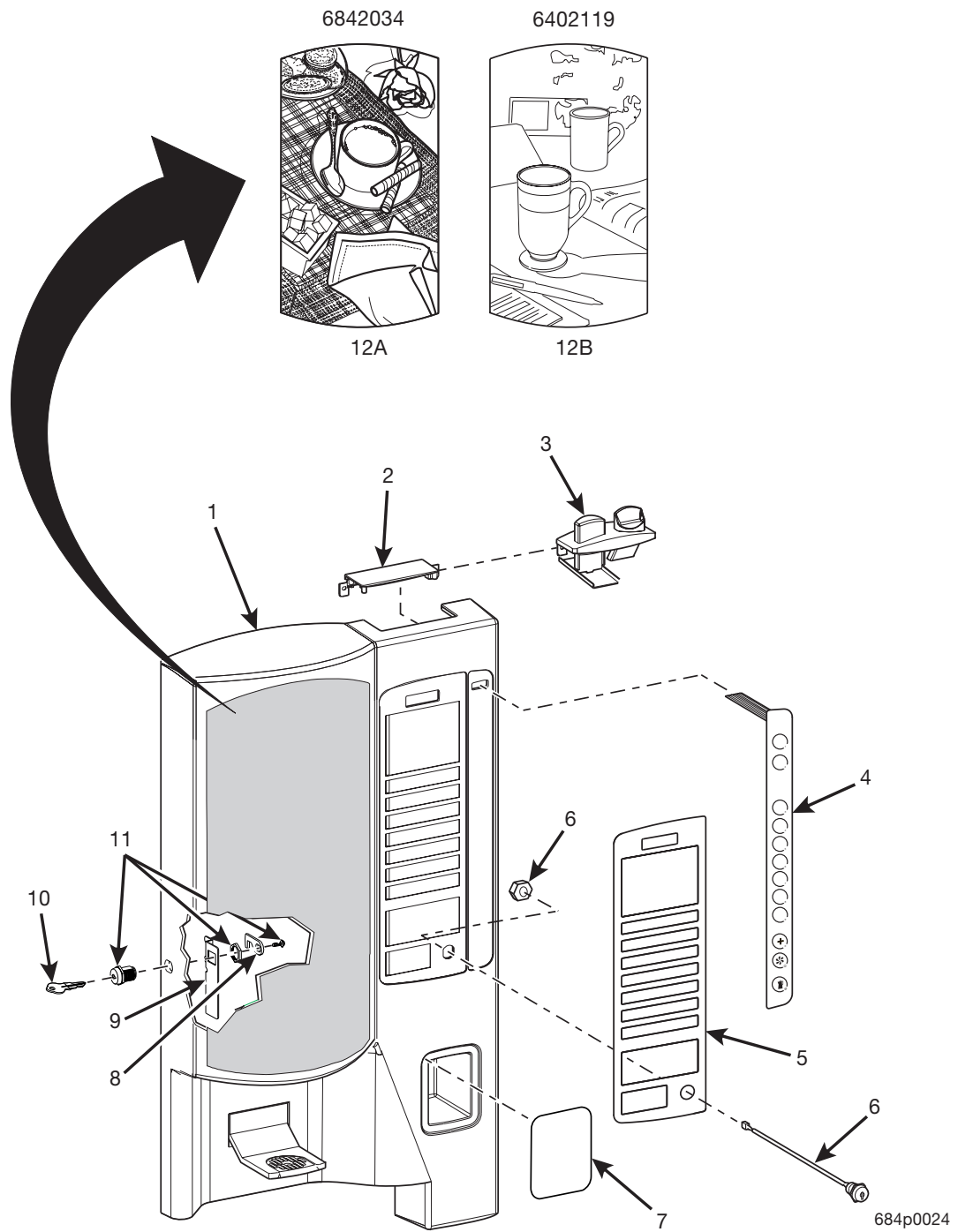
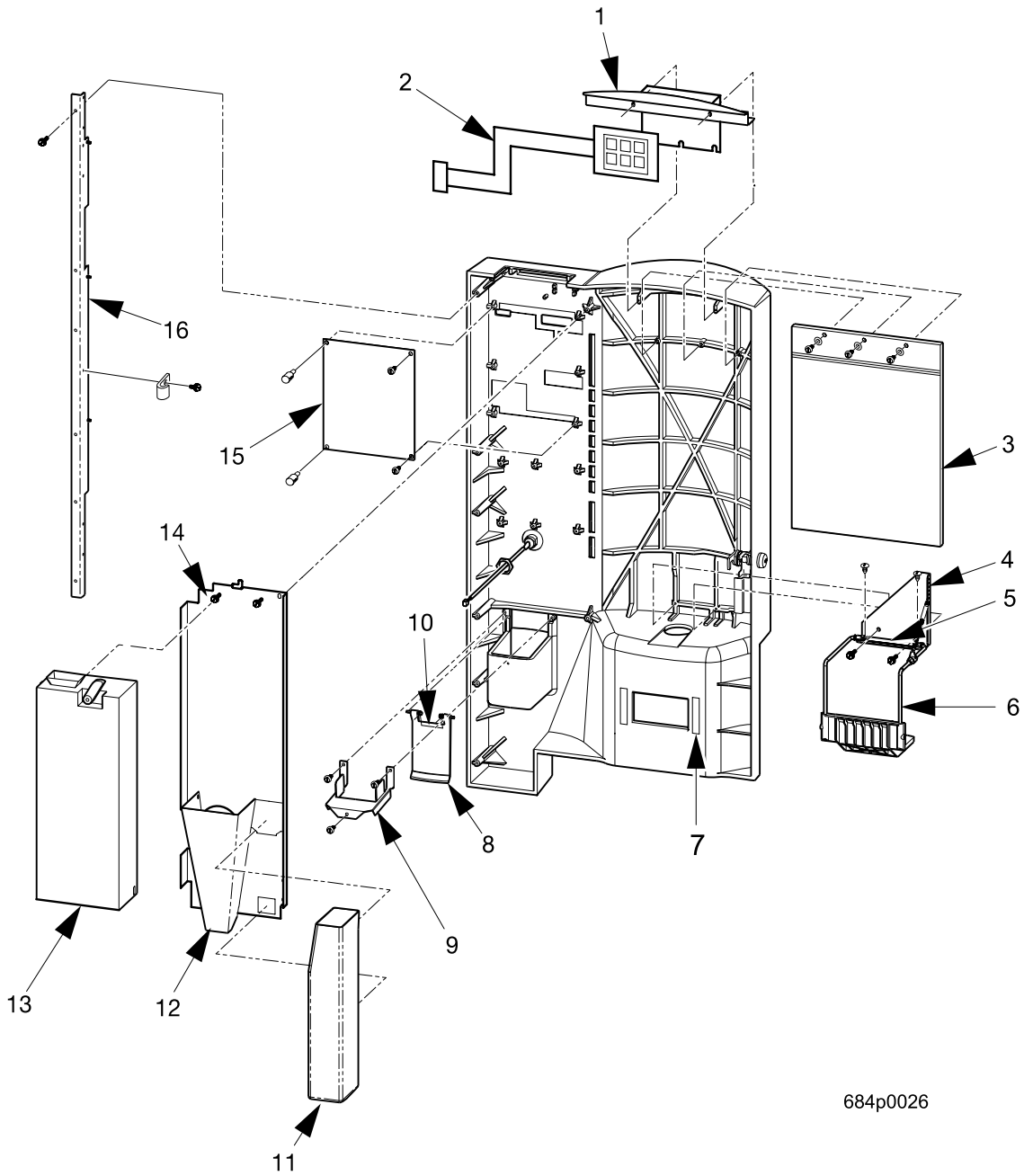


Figure 2. Door Assembly Part 1

TABLE 2. DOOR ASSEMBLY PART 1

INDEX	PART NUMBER	DESCRIPTION	QTY
1	6842011	DOOR- CAFE7 - GLACIER SILVER	1
	6842012	DOOR- CAFE7 - WARM WHITE	
	6842013	DOOR- CAFE7 - CHARCOAL	
2	6842017	FILLER PLATE-DOOR - GLACIER SILVER (FIGURE 8) (USED TO COVER COIN INSERT CAVITY WHEN COIN OPTION IS NOT PRESENT)	OPT
	6842018	FILLER PLATE DOOR - WARM WHITE (USED TO COVER COIN INSERT CAVITY WHEN COIN OPTION IS NOT PRESENT)	
	6842019	FILLER PLATE DOOR - CHARCOAL (USED TO COVER COIN INSERT CAVITY WHEN COIN OPTION IS NOT PRESENT)	
3	6842028	COIN INSERT ASSEMBLY-GLACIER SILVER-DOM	OPT
	6842029	COIN INSERT ASSEMBLY-WARM WHITE-DOM (FIGURE 7)	
	6842030	COIN INSERT ASSEMBLY-CHARCOAL-DOM.	
	6842031	COIN INSERT ASSEMBLY-GLACIER SILVER-INTERNATIONAL	
	6842032	COIN INSERT ASSEMBLY-WARM WHITE-INTERNATIONAL	
	6842033	COIN INSERT ASSEMBLY-CHARCOAL-INTERNATIONAL	
4	6842010	KEYPAD ASSEMBLY - MEMBRANE SWITCH	1
5	6402041	OVERLAY MENU	1
6	6402044	KEY SWITCH ASSEMBLY - CARAFE FUNCTION	1
7	6842014	COVER PLATE-COIN RETURN-GLACIER SILVER (USED WITH NO COIN OPTION)	1
	6842015	COVER PLATE-COIN RETURN-WARM WHITE (USED WITH NO COIN OPTION)	
	6842016	COVER PLATE-COIN RETURN-CHARCOAL (USED WITH NO COIN OPTION)	
8	6401053	CAM - DOOR LOCK	1
9	6841079	STRIKE - DOOR	1
10	2221920	KEY - DOOR LOCK	1
11	6401035	LOCK - DOOR - TTC	1
12	6402119	DISPLAY - PHOTO - P.O.P.	OPT
	6842034	DISPLAY-PHOTO-P.O.P.	
	6842049	DISPLAY - PHOTO - MAXWELL HOUSE (NOT SHOWN)	



684p0026

Figure 3. Door Assembly Part 2

**TABLE 3. DOOR ASSEMBLY PART 2**

INDEX	PART	DESCRIPTION	QTY
1	6842009	ANGLE BRACKET-SERVICE KEYBOARD	1
2	6842001	SWITCH ASSEMBLY-SERVICE	1
3	-	PLASTIC BAG ASSEMBLY (TABLES 4, 6)	1
4	6402013	BRACKET - SPRING - CUP PLATFORM	1
5	6402025	HINGE PLATE - CUP PLATFORM	1
6	6402010	CUP PLATFORM ASSEMBLY (FIGURE 9)	1
7	6402049	STRIP-MAGNETIC - 1.5"L X.50"W X.060"THK	2
8	6402057	GATE - COIN RETURN CUP *	OPT
9	6402060	PLATE-COVER-COIN CUP (NOT USED WITH NO COIN OPTION)	OPT
10	6402058	SPRING - COIN CUP *	OPT
11	6402065	COIN BOX ASSEMBLY *	OPT
12	6402033	PAYOUT CHUTE *	OPT
13	6400002	COIN CHANGER - MARS TRC6010XV - 24VDC *	OPT
	6400003	COIN CHANGER - COINCO 9302LF - 24 VDC *	
	5900214	COIN UNIT-MARS-VN4510-MDB *	
	5900243	COIN UNIT-TRC6512MDB *	
	5900213	COIN UNIT-COINCO-9302-GX "MDB" *	
	5900209	COIN UNIT-CONLUX USLZ-001"MDB" *	
14	6842005	WELD ASSEMBLY - MONETARY PLATE	1
15	6846004	PCB ASSY-DISPLAY-CAFE7	1
16	6842003	HINGE BAR-DOOR	1

\* WITH COIN OPTION ONLY

# Café VII Parts Manual

**TABLE 4. BAG ASSEMBLY B6840000 - USA**

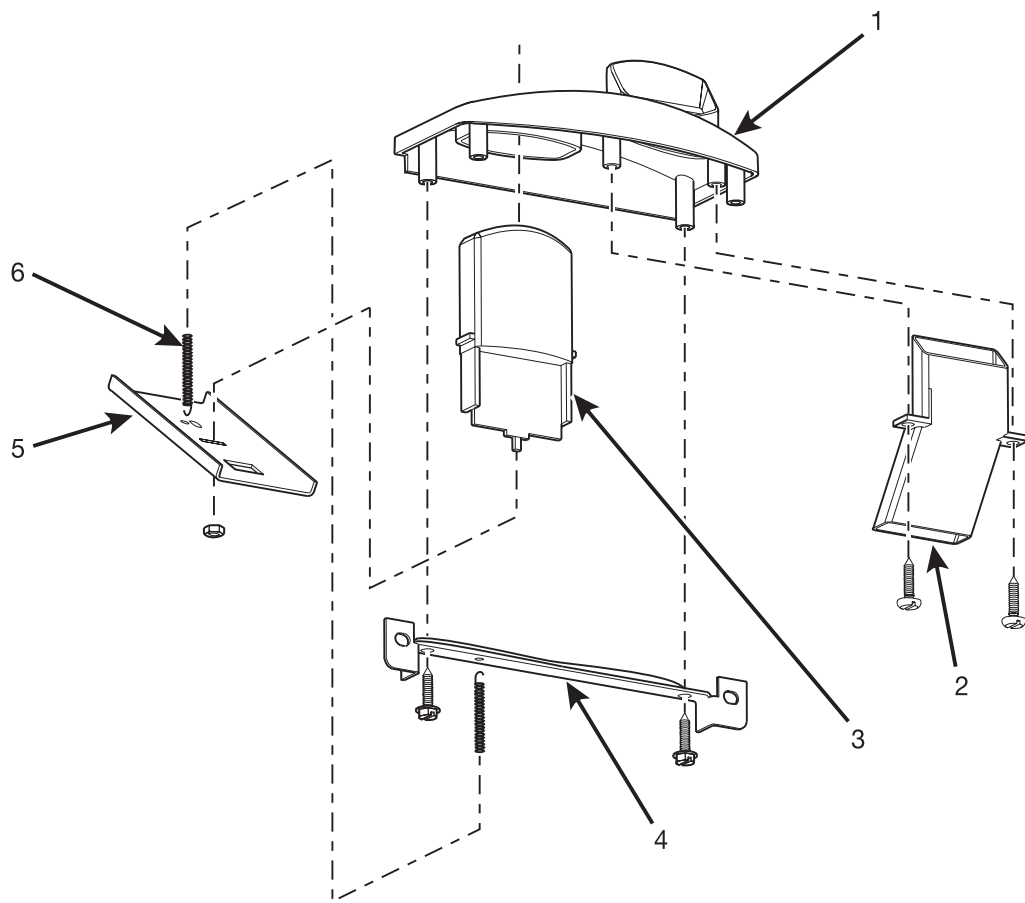
<b>PART NUMBER</b>	<b>DESCRIPTION</b>	<b>QTY</b>
6237117	REMOVAL TOOL-IMPELLER	1
6237347	VINYL CAP-1.00 ID.X.50 LG	3
6408139	NUT & FERRULE ASSEMBLY-BRASS#4BT	1
6408140	TUBE-9082699-1/4 OD-2.00"	1
6408141	FITTING-PI-211208-S(RLC38014	1
6408142	LOCKING CLIP-PI-C1808-R(LC14	1
6408143	LOCKING CLIP-PI-C1812R (LC38	1
6840001	DOCUMENTATION PACKAGE	1
6840017	LABEL-PRICE & CUP SIZE-CAFE' 7	1
6840018	INSERTSET-DUAL CUP-ENGLISH	1
6840019	INSERT SET-SNGL CUP-ENGLISH	1
6840022	INSERT-CAFE'7-UPPER-ENGLISH	1
6840024	INSERT SET-DUAL CUP-LOWER ENGLISH	1
6840068	INSERT SET - BLANK	1
6840025	INSERT SET-SNGL CUP-LOWER-ENGLISH	1
6840047	W.D.PACKAGE-115V	1
6841073	GASKET-FOAM	1
6842026	LABEL-MENU & INSTRUCTIONS-ENGLISH	1

**TABLE 5. BAG ASSEMBLY B6840001 - CANADA: FRENCH**

<b>PART NUMBER</b>	<b>DESCRIPTION</b>	<b>QTY</b>
6237080	NOZZLE-DISPENSING-F.D.COFFEE	1
6237117	REMOVAL TOOL-IMPELLER	1
6237347	VINYL CAP-1.00 ID.X.50 LG	3
6400084	INSTRUCTION SHEET-PAPER ROLL/TEA-FRENCH	1
6400123	C.E.SPECIFICATION SHEET	1
6404064	WASHER-FLAT-NYLON	1
6408139	NUT & FERRULE ASSEMBLY-BRASS#4BT	1
6408140	TUBE-9082699-1/4 OD-2.00"	1
6408141	FITTING-PI-211208-S(RLC38014	1
6408142	LOCKING CLIP-PI-C1808-R(LC14	1
6408143	LOCKING CLIP-PI-C1812R (LC38	1
6840001	DOCUMENTATION PACKAGE	1
6840017	LABEL-PRICE & CUP SIZE-CAFE' 7	1
6840020	INSERT SET-DUAL CUP-FRENCH	1
6840021	INSERT SET-SINGLE CUP-FRENCH	1
6840068	INSERT SET - BLANK	1
6840023	INSERT-CAFE'7-UPPER-FRENCH	1
6840026	INSERT SET-DUAL CUP-LOWER-FRENCH	1
6840027	INSERT SET-SINGLE CUP-LOWER-FRENCH	1
6840047	W.D.PACKAGE-115V	1
6841073	GASKET-FOAM	1
6842027	LABEL-MENUS & INSTRUCTIONS-FRENCH	1

TABLE 6. BAG ASSEMBLY B6840002 - GERMANY

PART NUMBER	DESCRIPTION	QTY
WD684002	W.D.-CAFE 7 & EXEC.-120V/230	1
6237117	REMOVAL TOOL-IMPELLER	1
6237347	VINYL CAP-1.00 ID.X.50 LG	3
6404064	WASHER-FLAT-NYLON	1
6408139	NUT & FERRULE ASSY-BRASS#4BT	1
6408140	TUBE-9082699-1/4 OD-2.00"	1
6408141	FITTING-PI-211208-S(RLC38014	1
6408142	LOCKING CLIP-PI-C1808-R(LC14	1
6408143	LOCKING CLIP-PI-C1812R (LC38	1
6840004	OPERATION GUIDE-C7	1
6840049	CAFE7 SETUP GUIDE	1
6840051	LABEL-PRICE & CUP SZ-CAFE7-G	1
6840053	INSERT SET-DUAL CUP-GERMAN	1
6840054	INSERT SET-SINGLE CUP-GERMAN	1
6840055	INSERT-CAFE7-UPPER-GERMAN	1
6840056	INSERT SET-DUAL CUP-LWR-GER	1



640p0016

Figure 7. Coin Insert Assembly



**TABLE 7. COIN INSERT ASSEMBLY**

INDEX	PART	DESCRIPTION	QTY
-	6842028	COIN INSERT ASSEMBLY-GLACIER SILVER-DOM	REF
	6842029	COIN INSERT ASSEMBLY-WARM WHITE-DOM	
	6842030	COIN INSERT ASSEMBLY-CHARCOAL-DOM.	
	6842031	COIN INSERT ASSEMBLY-GLACIER SILVER-INLERNATIONAL	
	6842032	COIN INSERT ASSEMBLY-WARM WHITE-INTERNATIONAL	
	6842033	COIN INSERT ASSEMBLY-CHARCOAL-INTERNATIONAL	
1	6842020	COIN INSERT-GLACIER SILVER-DOM	1
	6842021	COIN INSERT-WARM WHITE-DOM	
	6842022	COIN INSERT-CHARCOAL-DOM	
	6842023	COIN INSERT-GLACIER SILVER-INTERNATIONAL	
	6842024	COIN INSERT-WARM WHITE-INTERNATIONAL	
	6842025	COIN INSERT-CHARCOAL-INTERNATIONAL	
2	6402030	CHUTE - COIN INSERT	1
3	6402027	BUTTON - COIN RETURN	1
4	6402031	RETAINER - ANGLE COIN	1
5	6842008	LEVER - COIN RETURN	1
6	5560068	SPRING - COIN LEVER RETURN	1

**TABLE 8. FILLER PLATE (NO COIN OPTION)**

INDEX	PART	DESCRIPTION	QTY
1	6842017	PLATE - FILLER - DOOR-GLACIER SILVER	1
	6842018	PLATE - FILLER - DOOR-WARM WHITE	
	6842019	PLATE - FILLER - DOOR-CHARCOAL	
2	6402031	RETAINER - COIN ANGLE	1

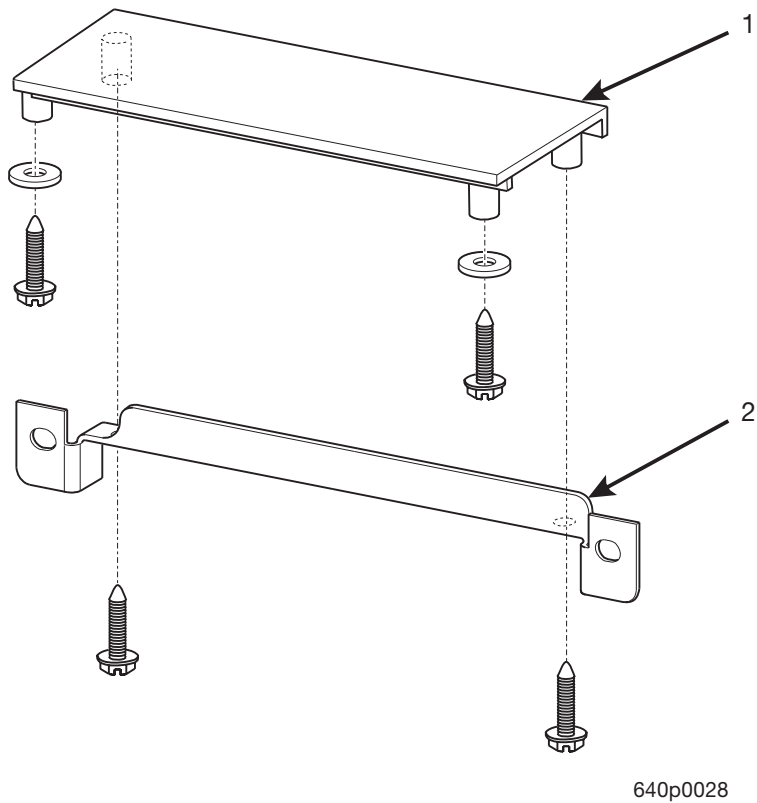
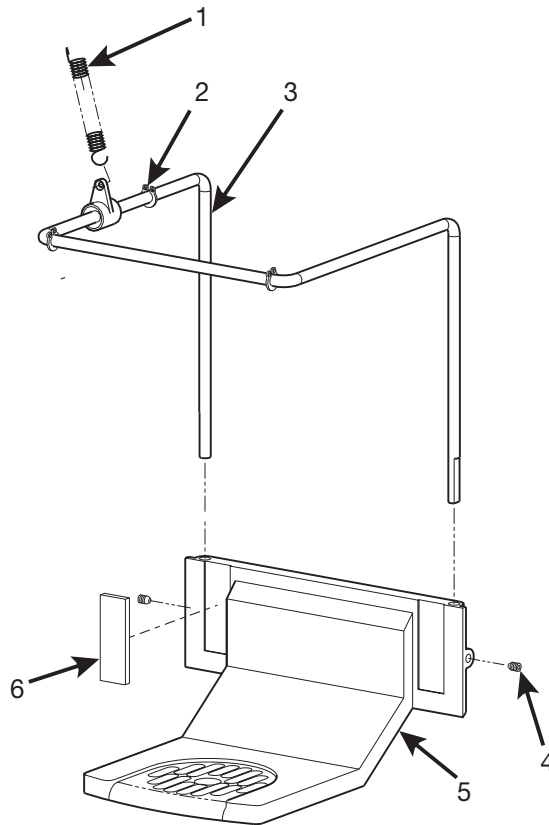


Figure 8. Filler Plate (No Coin Option)

TABLE 9. CUP PLATFORM ASSEMBLY

INDEX	PART	DESCRIPTION	QTY
-	6402010	CUP PLATFORM ASSEMBLY	1
1	6402056	SPRING - CUP PLATFORM	1
2	6402070	RETAINING RING - SELF LOCKING	3
3	6442003	SUPPORT - CUP PLATE - WITH TOGGLE	1
4	6104493	SETSCREW - # 6-32 X 3/16	2
5	6402011	PLATFORM - CUP SUPPORT	1
-	3101091	SILICONE RUBBER (NOT SHOWN - ATTACHES INDEX # 5)	A/R
6	6402048	PLATE - RETAINER	2



640p0017

Figure 9. Cup Platform Assembly

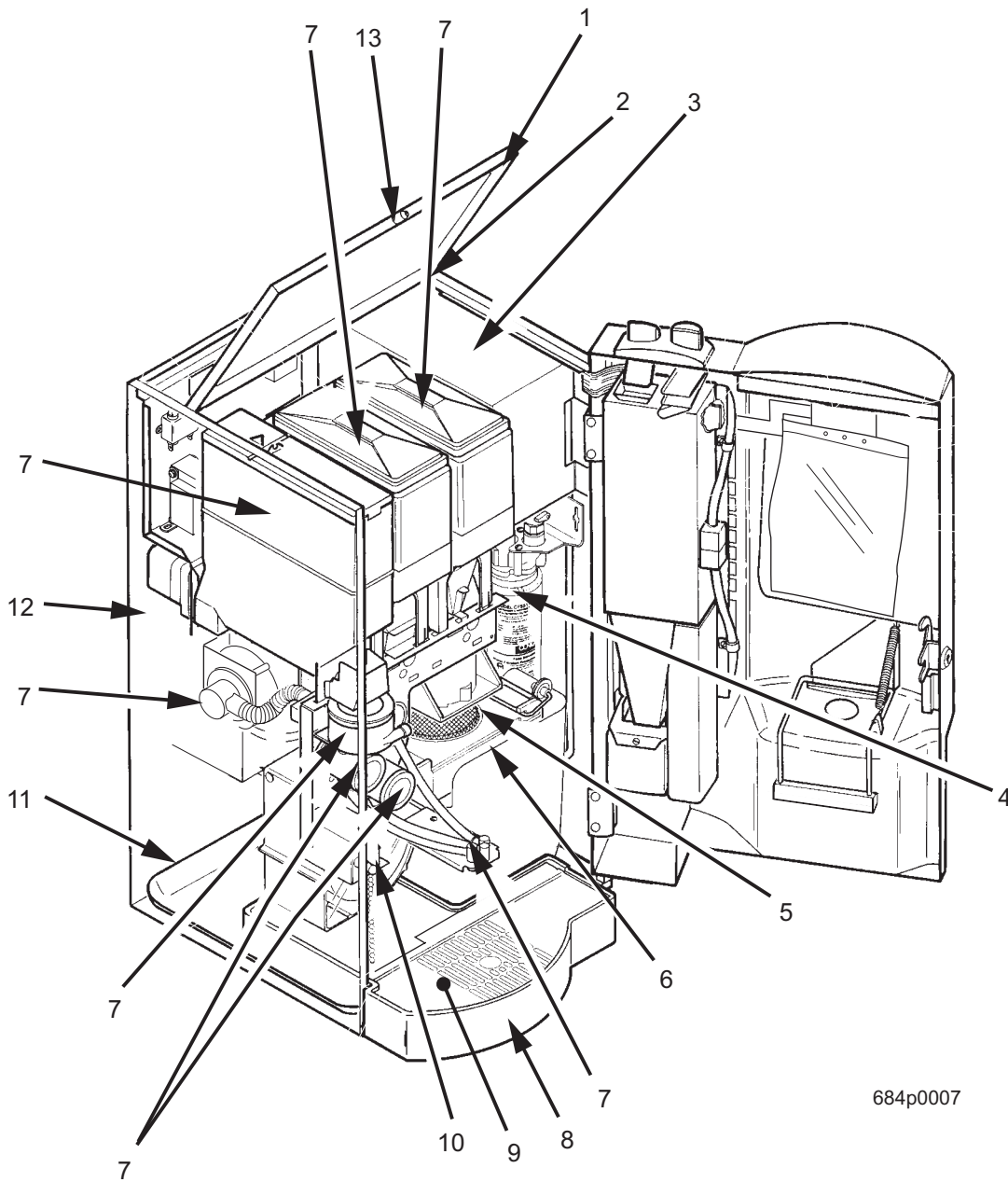
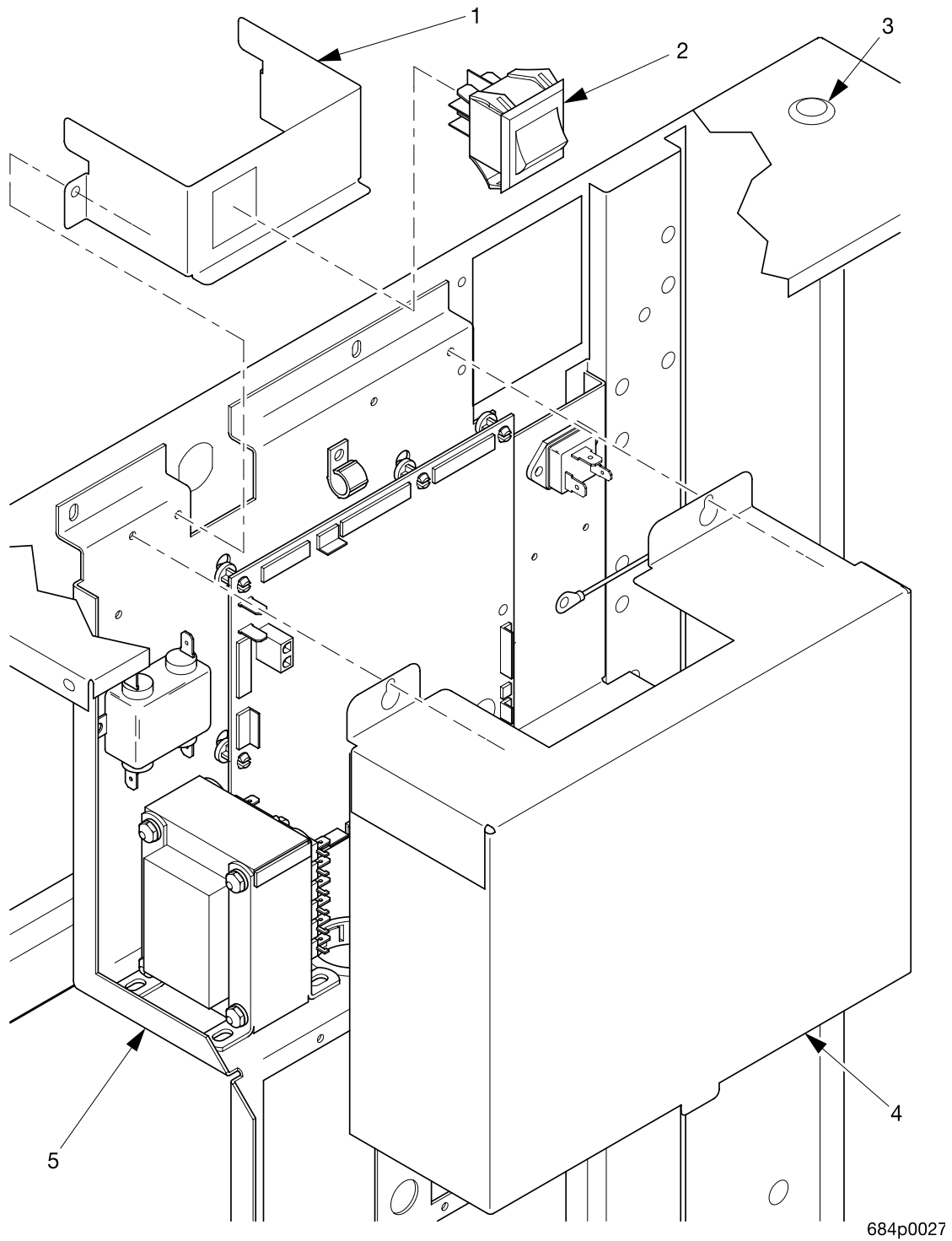


Figure 10. Upper Cabinet Assembly - Top

**TABLE 10. UPPER CABINET ASSEMBLY PART 1**

INDEX	PART NUMBER	DESCRIPTION	QTY
1	6841017	COVER-TOP ACCESS-GLACIER SILVER	1
	6841071	COVER-TOP ACCESS-WARM WHITE	
	6841072	COVER-TOP ACCESS-CHARCOAL	
2	6401024	BEARING - ACCESS COVER	2
3	-	WATER TANK (FIGURE 26)	1
4	-	WATER VALVE/FILTER ASSEMBLY (FIGURES 29, 30)	1
5	-	BREWER DRIVE AND PUMP ASSEMBLIES (FIGURE 31)	1
6	6401082	GROUNDS BUCKET ASSEMBLY	1
7	-	CANISTER AND PRODUCT DISPENSING (FIGURE 18)	1
8	6841045	LIQUID DRAIN TRAY-CUTOFF-GLACIER SILVER	1
	6841046	LIQUID DRAIN TRAY-CUT OFF-WARM WHITE	
	6841047	LIQUID DRAIN TRAY-CUT OFF-CHARCOAL	
9	6841001	GRATE-LIQUID DRAIN TRAY	1
10	-	INTERLOCK AND FLOAT SWITCHES (FIGURE 14)	1
11	6401006	LINER-FLOOR	1
12	6841002	CABINET ASSEMBLY-ADH.BOND-GLACIER SILVER	1
	6841048	CABINET ASSEMBLY-ADH.BOND-WARM WHITE	
	6841056	CABINET ASSEMBLY-ADH.BOND-CHARCOAL	
13	4041102	STUD - COLUMN LOCATOR	1

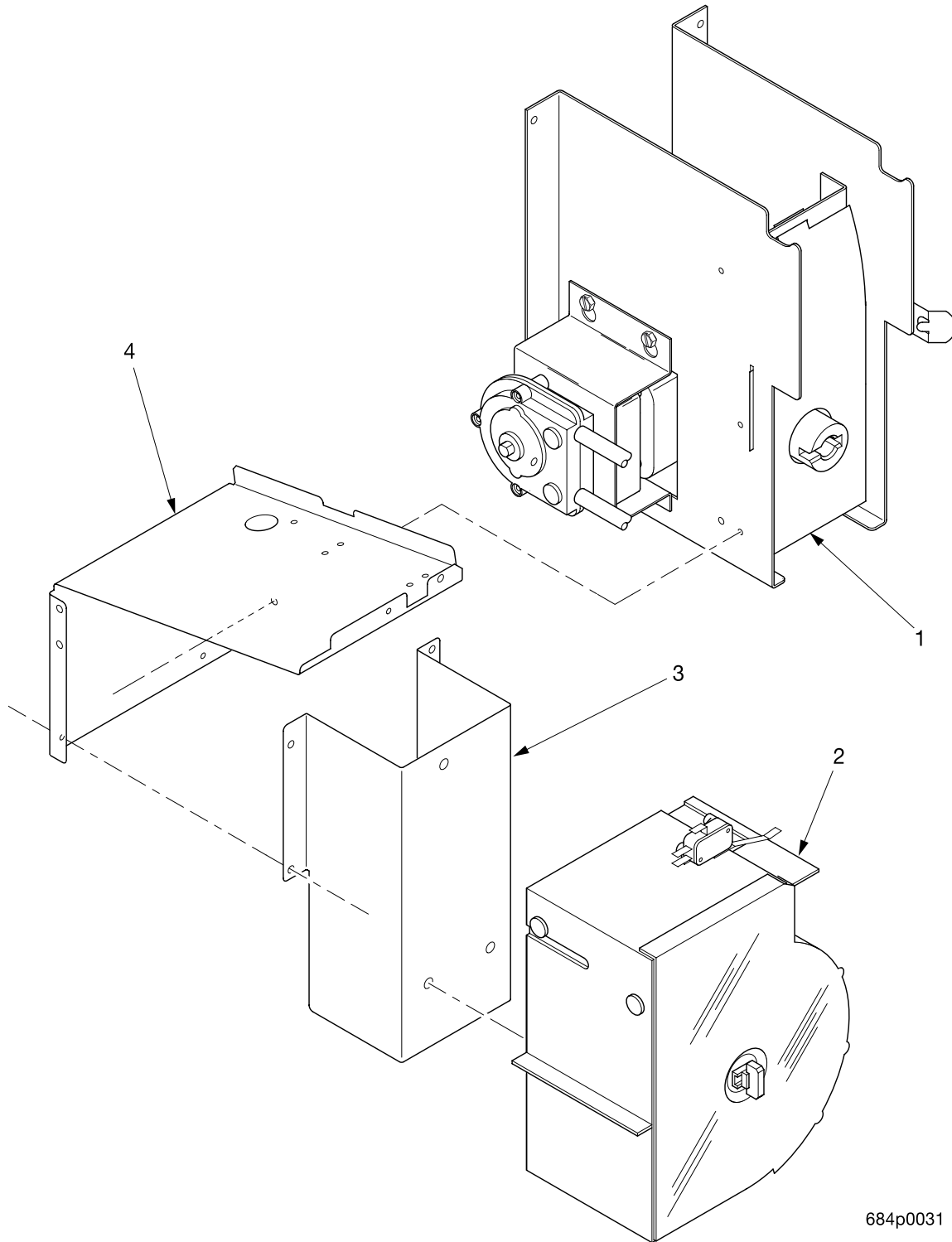


684p0027

Figure 11. Upper Cabinet Assembly Part 2

**TABLE 11. UPPER CABINET ASSEMBLY PART 2**

INDEX	PART NUMBER	DESCRIPTION	QTY
1	6841064	BRACKET-MAIN SWITCH	1
2	6841065	SWITCH-ROCKER	1
3	6801039	PLUG - HOLE - .75 DIA.	1
4	6841025	COVER-CABINET ELECTRONICS	1
5	6841018	POWER PANEL & SUPPORT ASSEMBLY (FIGURE 28)	1



684p0031

Figure 12. Upper Cabinet Assembly Part 3



**TABLE 12. UPPER CABINET ASSEMBLY PART 3**

INDEX	PART NUMBER	DESCRIPTION	QTY
1	6844002	BREWER DRIVE & PUMP ASSEMBLY - 115V (FIGURE 31)	1
2	6404112	FILTER PAPER HOUSING ASSEMBLY (FIGURE 33)	1
3	6841024	CHANNEL-MOUNTING-FILTER PAPER HOUSING	1
4	6841023	SUPPORT-PAPER HOUSING	1

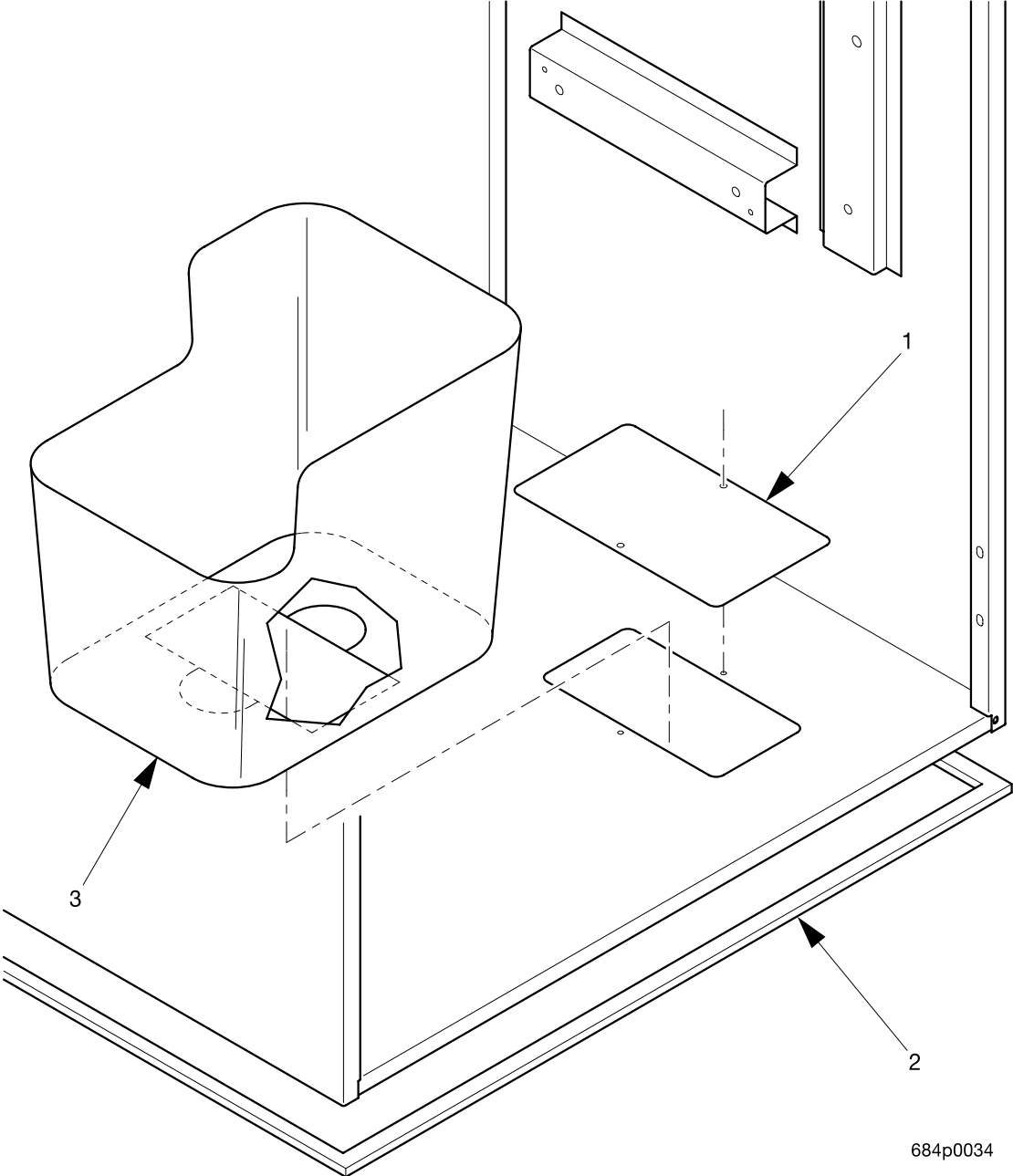
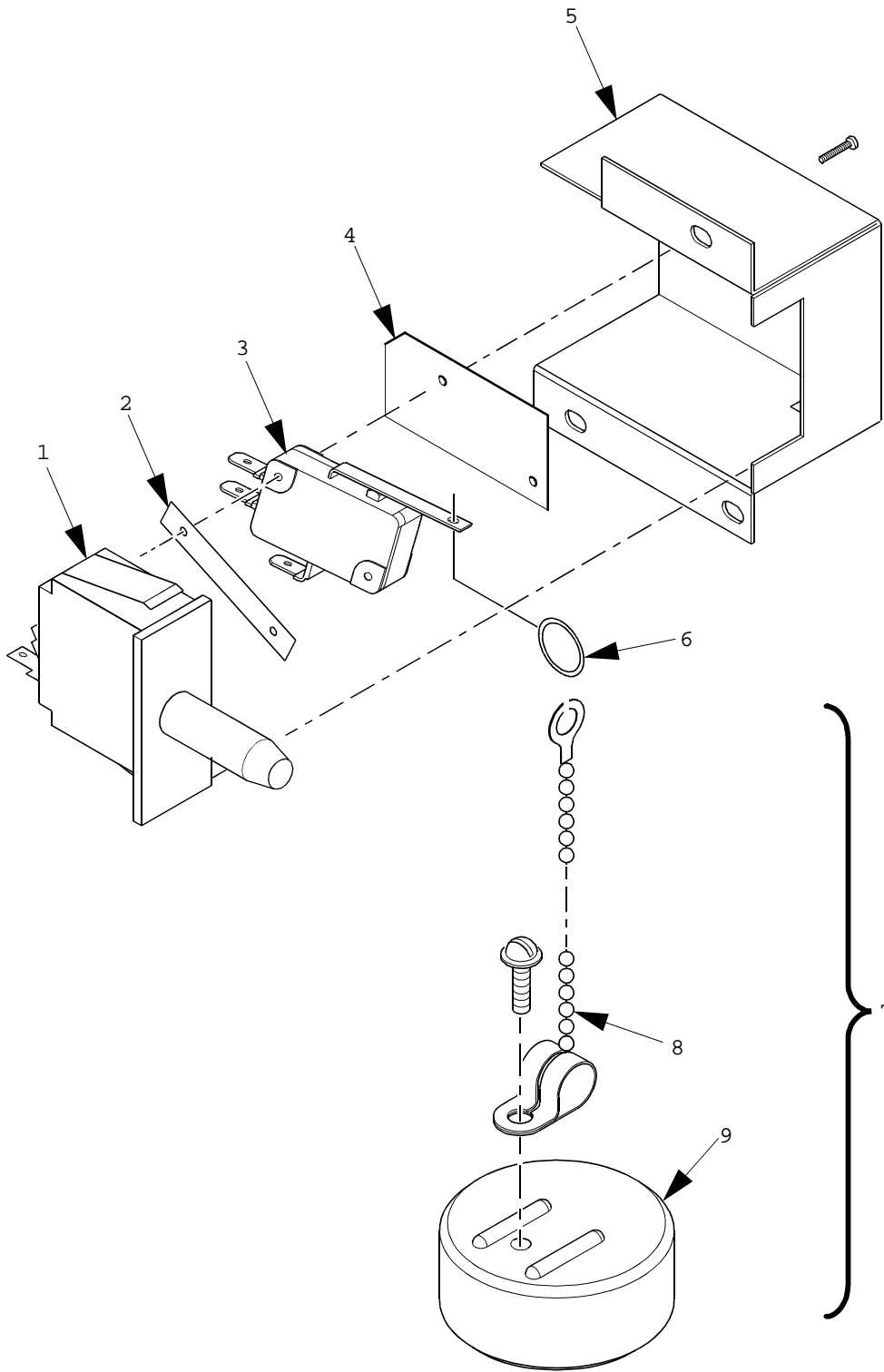


Figure 13. Upper Cabinet Assembly Part 4

**TABLE 13. UPPER CABINET ASSEMBLY PART 4**

INDEX	PART NUMBER	DESCRIPTION	QTY
1	6401050	COVER PLATE	1
2	6841073	GASKET-FOAM (PART IS INCLUDED IN THE BAG ASSEMBLY.GASKET IS APPLIED TO BOTTOM OF UPPER CABINET WHENEVER A LARGER, OPTIONAL, GROUNDS BUCKET IS LOCATED IN A BASE CABINET)	REF
3	6401857	BUCKET-GROUNDS-CUT-OUT (USED IN PLACE OF THE STANDARD GROUNDS BUCKET WHENEVER A LARGER, OPTIONAL, GROUNDS BUCKET IS LOCATED IN A BASE CABINET)	OPT

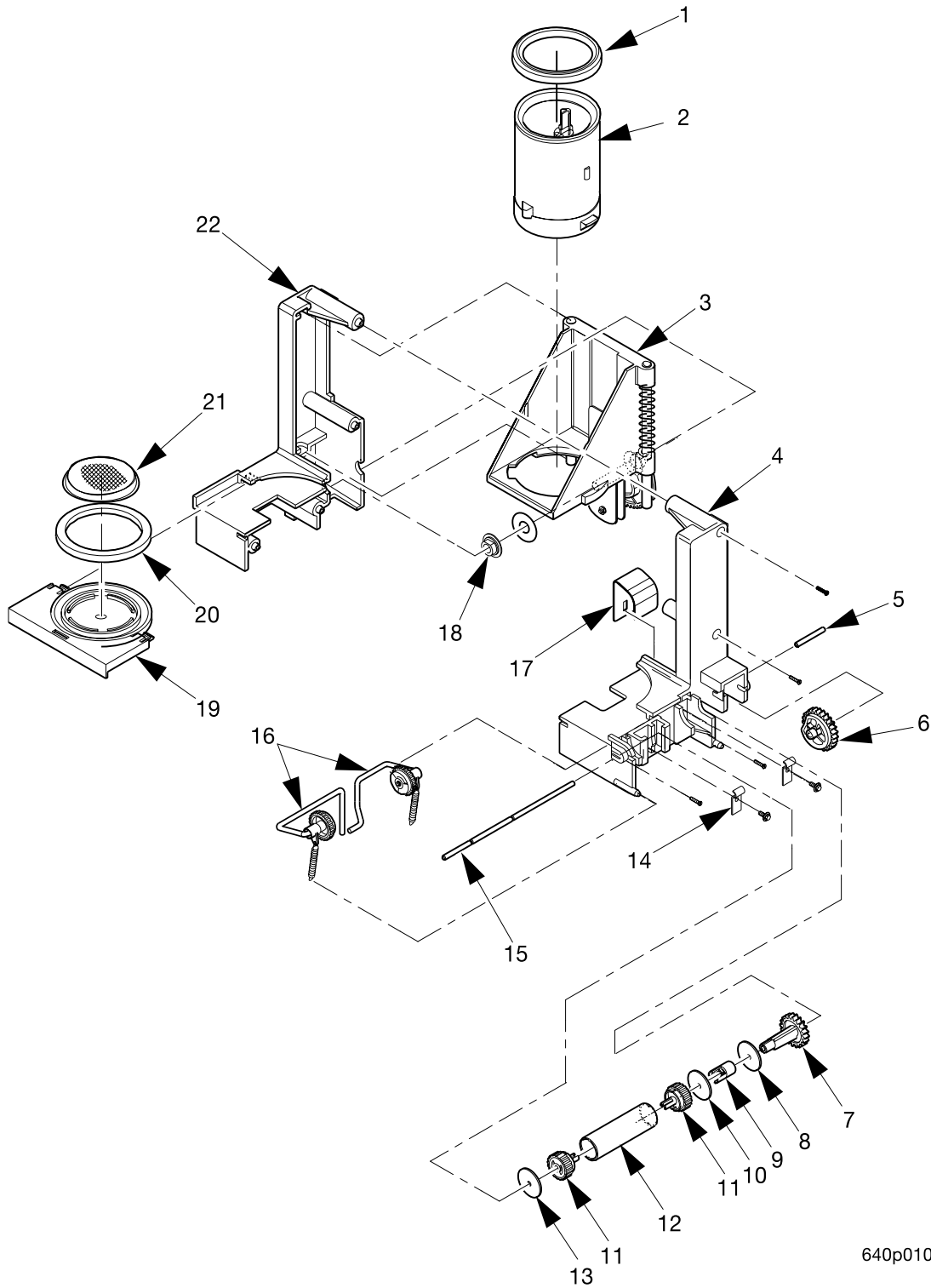


688p0052

Figure 14. Interlock and Float Switches

TABLE 14. INTERLOCK AND FLOAT SWITCHES

INDEX	PART NUMBER	DESCRIPTION	QTY
-	-	INTERLOCK SWITCH/FLOAT ASSEMBLY	1
1	4271109	SWITCH-PANEL MOUNT	1
2	4302316	NUT PLATE	1
3	6401036	SWITCH - LEVER	1
4	6112042	INSULATOR SWITCH	1
5	6841029	HOUSING-INTERLOCK SWITCH	1
6	6841080	COIL-FLOAT SWITCH	1
7	6401037	FLOAT ASSEMBLY - DRAIN TRAY (INCLUDES INDEX ITEMS 7 AND 8)	1
8	6401056	CHAIN - FLOAT SWITCH	1
9	6401055	FLOAT - DRAIN TRAY	1

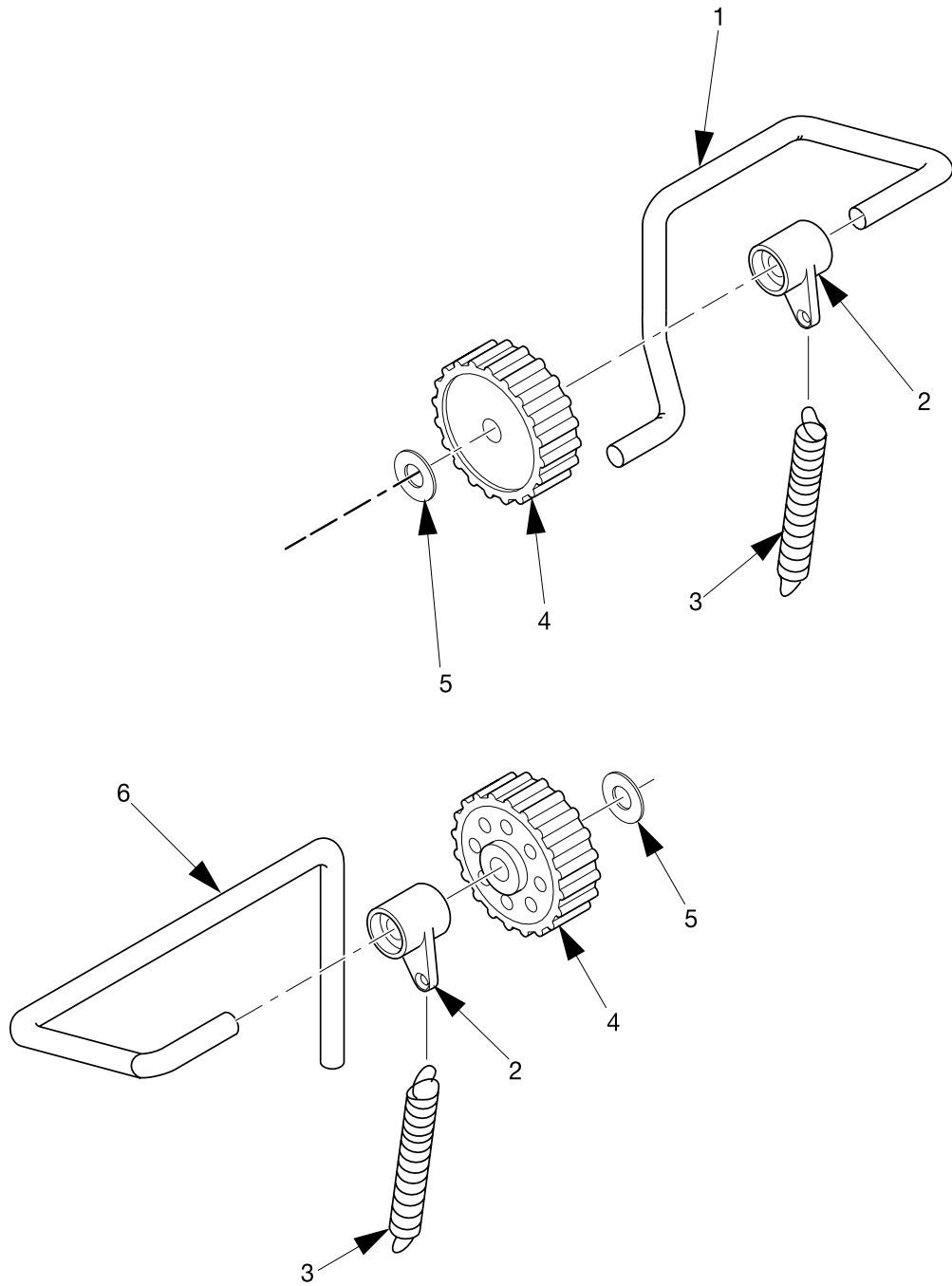


640p0104

Figure 15. Brewer Assembly

**TABLE 15. BREWER ASSEMBLY**

INDEX	PART NUMBER	DESCRIPTION	QTY
-	6404110	BREWER ASSEMBLY	1
1	6404031	LID - BREWER CYLINDER	1
2	6404004	CYLINDER - BREWER	1
3	6404050	CARRIER AND CAM FOLLOWER ASSEMBLY (FIGURE 17)	1
4	6404109	HOUSING - BREWER -RIGHT	1
5	6404023	AXLE - INDEX GEAR	1
6	6404022	GEAR - PAPER INDEX PINION	1
7	6404024	GEAR - DRIVE - PAPER	1
8	6404038	WASHER - 1.25 OD X 0.406 ID X 0.050	1
9	6234603	ROLLER DRIVE - PAPER MECHANISM	1
10	6404039	WASHER - 1.25 OD X 0.540 ID X 0.050	1
11	6234620	ROLLER END CAP - PAPER MECH	2
12	6404026	ROLLER - PAPER EXTRUSION	1
13	6404037	WASHER - 1.25 OD X 0.203 ID X 0.050	1
14	6404114	RETAINER IDLER AXLE	1
15	6404025	SHAFT - PAPER DRIVE	1
16	-	IDLER AXLE AND ROLLER ASSEMBLIES LEFT AND RIGHT (FIGURE 16)	-
17	6404113	GUIDE - PAPER	1
18	4047012	SHOULDER BUSHING - 60 X 60 MESH	
19	6404008	HOUSING - SCREEN AND SEAL	1
20	6404090	SEAL - BREWER	1
21	6404070	SCREEN - BREWER	1
22	6404001	HOUSING - BREWER - LEFT SIDE	1



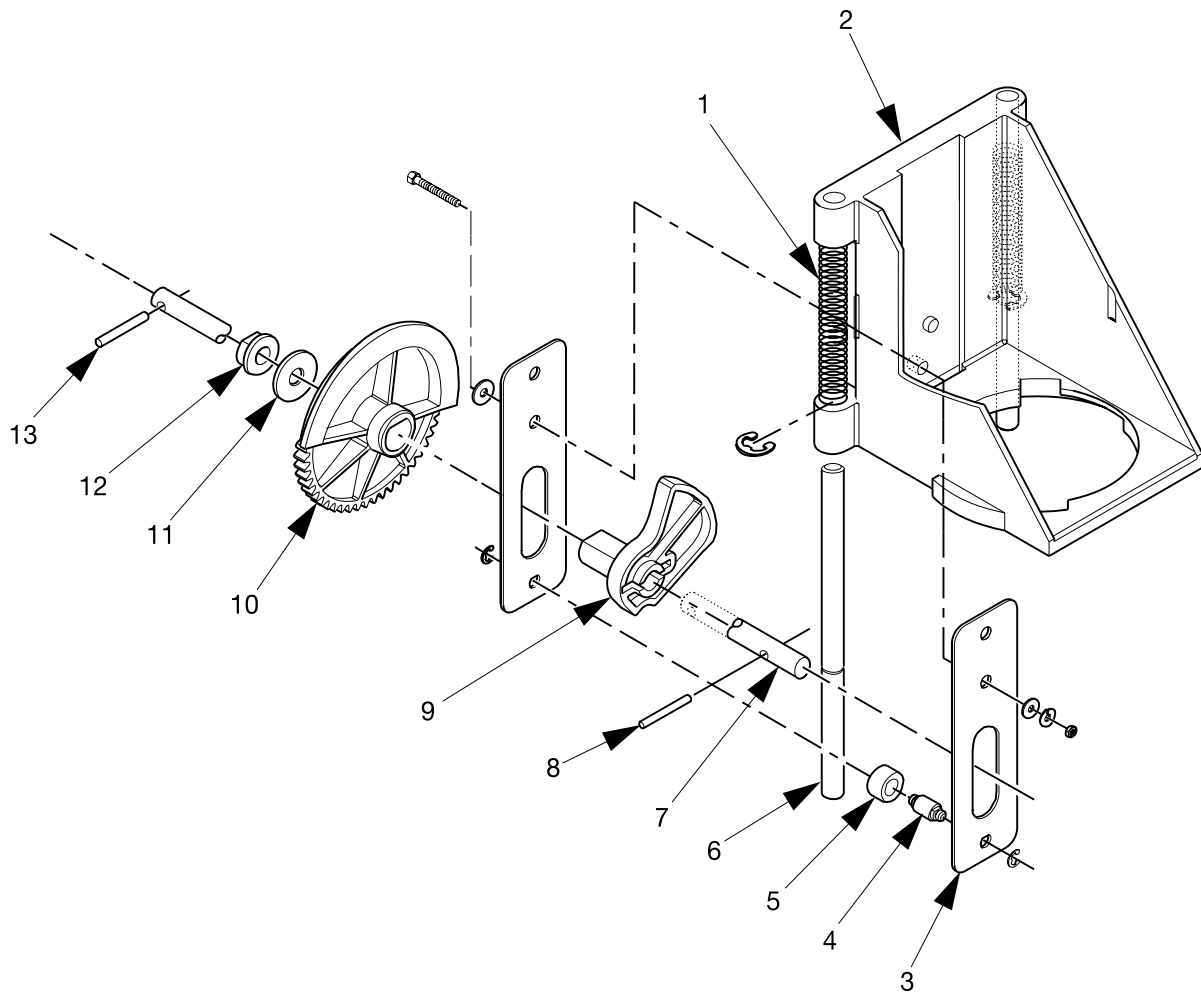
640p0092

Figure 16. Idler Axle and Roller Assemblies



**TABLE 16. IDLER AXLE AND ROLLER ASSEMBLIES**

INDEX	PART NUMBER	DESCRIPTION	QTY
-	6404107	IDLER AXLE AND ROLLER ASSEMBLY - LEFT (INCLUDES INDEX ITEMS 2 THROUGH 6)	1
-	6404108	IDLER AXLE AND ROLLER ASSEMBLY - RIGHT (INCLUDES INDEX ITEMS 1 THROUGH 5)	1
1	6404096	AXLE - IDLER - ROLLER - RIGHT	1
2	6404030	TOGGLE - SPRING (1 PER ASSEMBLY)	2
3	6404067	SPRING - EXTENSION (1 PER ASSEMBLY)	2
4	6404098	DRIVE/IDLER - PAPER DRIVE (1 PER ASSEMBLY)	2
5	6404027	RETAINER - GROOVELESS (1 PER ASSEMBLY)	2
6	6404095	AXLE - IDLE - ROLLER - LEFT	1



640p010E

Figure 17. Carrier and Cam Follower Assembly

**TABLE 17. CARRIER AND CAM FOLLOWER ASSEMBLY**

<b>INDEX</b>	<b>PART NUMBER</b>	<b>DESCRIPTION</b>	<b>QTY</b>
-	6404050	CARRIER AND CAM FOLLOWER ASSEMBLY (MODEL 684 ONLY)	1
1	6404017	SPRING - CARRIER	1
2	6404003	CARRIER - CYLINDER	1
3	6404019	PLATE - CAM FOLLOWER	1
4	6404073	SHAFT - CAM FOLLOWER	1
5	6404074	ROLLER - CAM FOLLOWER	1
6	6404018	SHAFT - CARRIER BEARING	1
7	6404013	SHAFT - CAM	1
8	4047061	PIN - ROLL - 1/8 X 1 1/8	1
9	6404014	CAM - CYCLINDER CARRIER	1
10	6404015	GEAR - PAPER INDEX DRIVE	1
11	6134042	WASHER - 1 X 0.390 X 22 GAUGE	1
12	4047012	BUSHING - SHOULDER	1
13	6133157	PIN - ROLL - 3/16 X 1	1

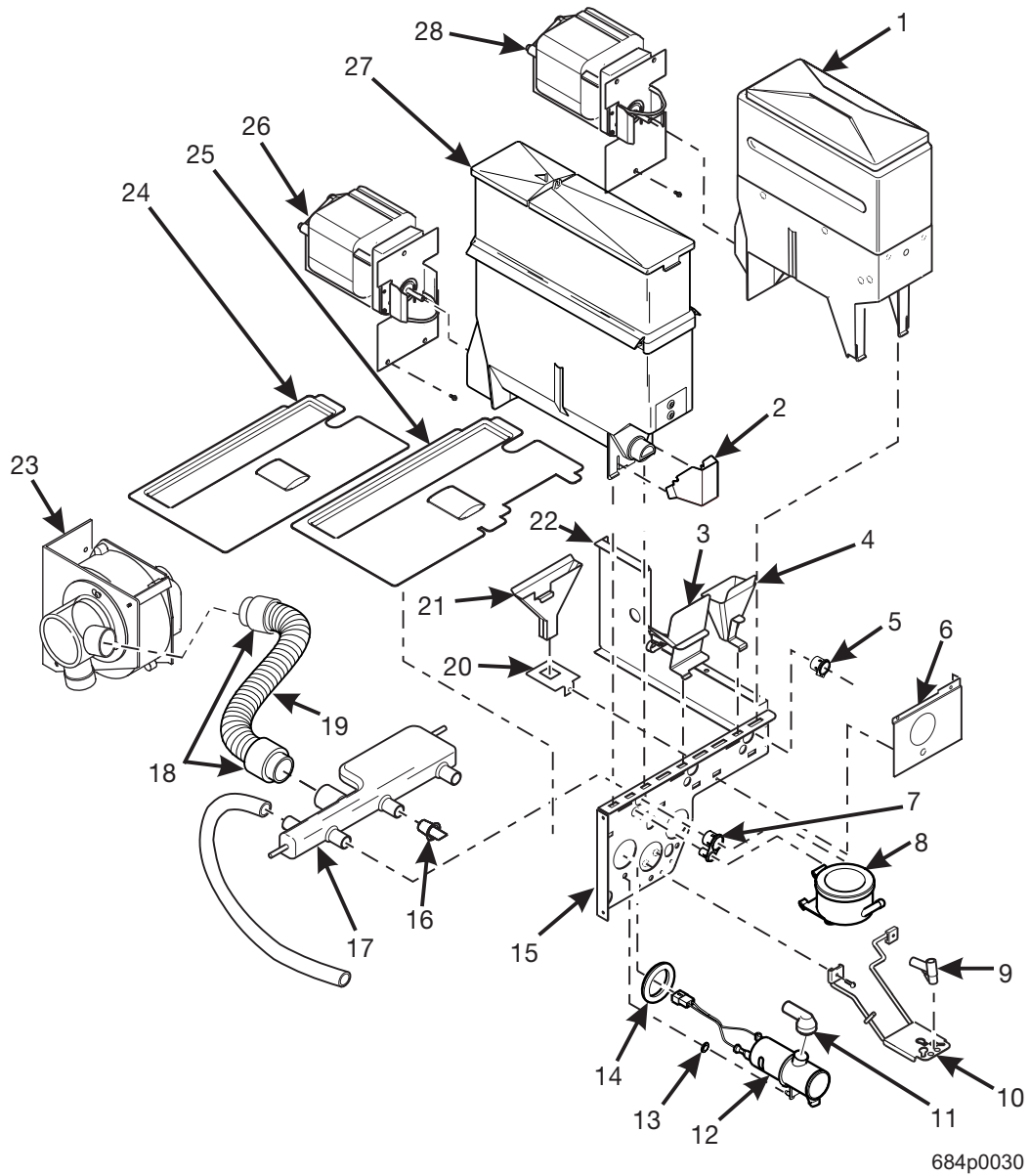


Figure 18. Canister/Product Dispensing

**TABLE 18. CANISTER/PRODUCT DISPENSING**

INDEX	PART NUMBER	DESCRIPTION	QTY
1	6407043	CANISTER ASSEMBLY - PREGROUND COFFEE (FIGURE 23) (USED WITH EACH FRESH BREW SELECTION)	OPT
	6237445	CANISTER ASSEMBLY - FD COFFEE (FIGURE 22) (USED WITH EACH FREEZE DRY SELECTION)	
	6237450	CANISTER ASSEMBLY - NO SLEEVE (FIGURE 24) (USED WITH EACH SOLUBLE PRODUCT, WHITENER AND HOT CHOCOLATE SELECTION)	
2	6337015	BRACKET - CHOCOLATE DEFLECTOR (USED WITH EACH FREEZE DRY, SOLUBLE PRODUCT, WHITENER AND HOT CHOCOLATE SELECTION)	OPT
3	6407028	CHUTE ASSEMBLY LEFT (USED WHEN FRESH BREW SELECTION IS PRESENT IN CENTER CANISTER POSITION)	OPT
4	6237241	CHUTE ASSEMBLY - PREGROUND COFFEE (USED WHEN FRESH BREW SELECTION IS PRESENT IN RIGHT CANISTER POSITION)	1
5	6407039	EXTENSION-MANIFOLD (USED WHEN FRESH BREW SELECTION IS PRESENT)	OPT
6	6401085	PLATE-WHIPPER MOUNTING (FREEZE DRY ONLY)	OPT
7	6237315	RETAINER - TUBE - MIXING BOWL (ONE REQUIRED FOR EACH MIXING BOWL)	OPT
8	6237127	MIXING BOWL ASSEMBLY (FIGURE 19) (USE FOR EACH SOLUBLE PRODUCT, WHITENER AND HOT CHOCOLATE SELECTION)	OPT
	6417000	MIXING BOWL ASSEMBLY (FIGURE 19) (USE ONE FOR THE FREEZE DRY COFFEE SELECTION)	
9	-	NOZZLE - (FIGURE 20)	OPT
10	6407006	NOZZLE SUPPORT ASSEMBLY	1
11	6407019	COUPLER-WHIPPER-LIQUID (USED WHEN FRESH BREW SELECTION IS PRESENT)	1-OPT
12	6237195	WHIPPER ASSEMBLY (FIGURE 19)	OPT
13	2302223	GROMMET 3/16 (ONE REQUIRED FOR EACH WHIPPER ASSEMBLY)	OPT
14	6237115	GROMMET - WHIPPER MOUNTING (ONE REQUIRED FOR EACH WHIPPER ASSEMBLY)	OPT
15	6841021	SUPPORT-CANISTER	1
16	6237303	PLUG-CENTER PULL (USE WHEN A MIXING BOWL IS NOT CONNECTED TO THE EXHAUST BLOWER MANIFOLD)	OPT
17	6407010	MANIFOLD-EXHAUST BLOWER-FB (THERE IS A 5.25.X 2.10 HOLE IN THE BOTTOM OF THE MANIFOLD WHICH VENTS THE BREWER)	1
	6407041	MANIFOLD-EXHAUST BLOWER-FD (THERE IS NO HOLE IN THE BOTTOM OF THE MANIFOLD)	
18	6137157	COUPLING VENT HOSE	2

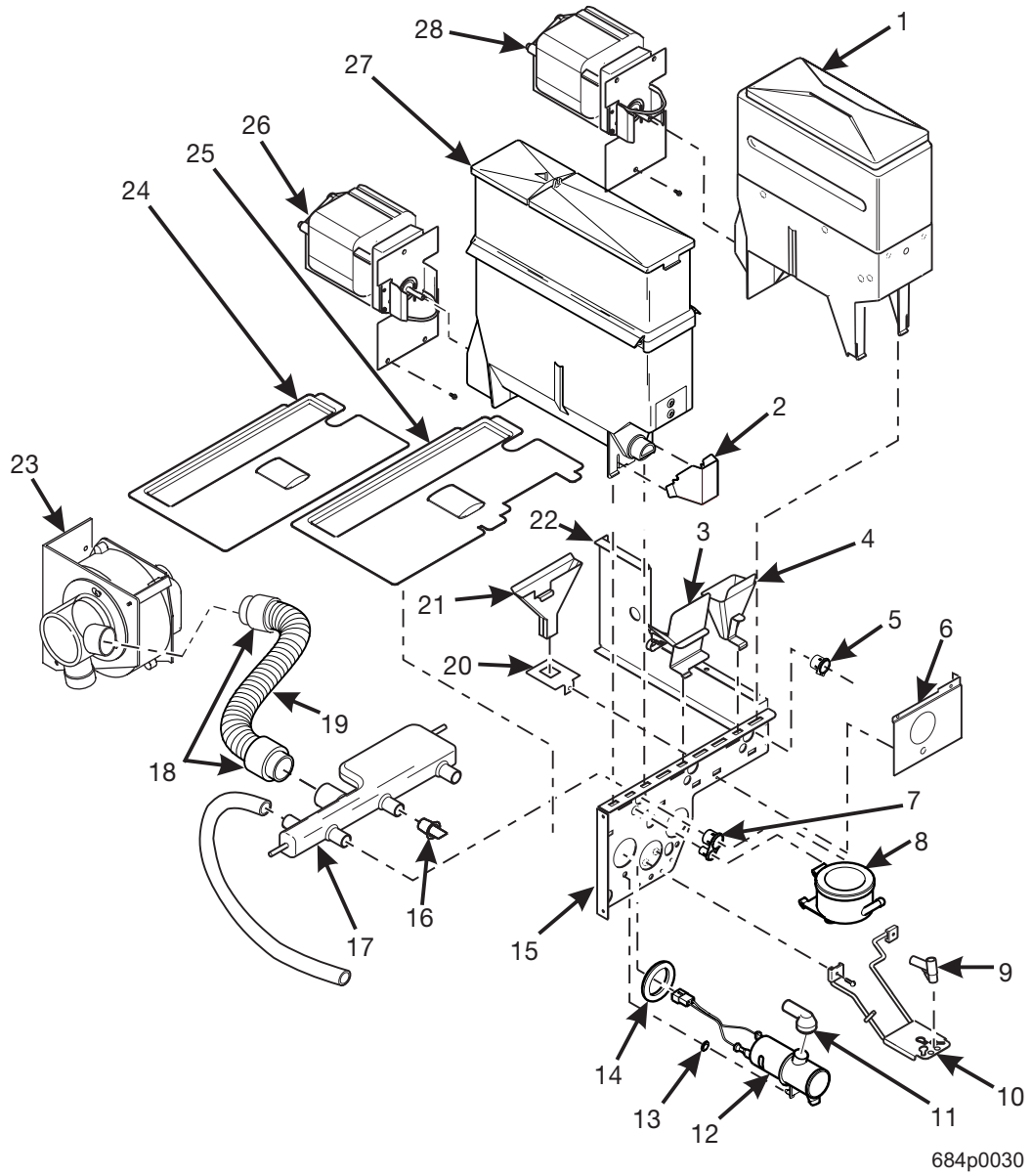


Figure 18. Canister/Product Dispensing (Continued)

**TABLE 18. CANISTER/PRODUCT DISPENSING (CONTINUED)**

INDEX	PART NUMBER	DESCRIPTION	QTY
19	6408207	HOSE-EXHAUST-6137109-12.00" LG	1
20	6407017	HOLDER - GROUNDS CHUTE (USED WHEN FRESH BREW SELECTION IS PRESENT)	1
21	6407014	CHUTE ASSEMBLY - GROUNDS - LOWER (USED WHEN FRESH BREW SELECTION IS PRESENT)	1
22	6401019	SUPPORT BRACKET-CANISTER	1
23	6841030	BRACKET AND BLOWER ASSEMBLY-115V (FIGURE 21)	1
24	6851001	TRAY-CANISTER-F.D.	1
25	6841016	TRAY-CANISTER-F.B.	1
26	6237436	MOTOR AND PLATE ASSEMBLY - 115 VAC - 200 RPM * USED WITH EACH FREEZE DRY COFFEE, SOLUBLE PRODUCT, CHOCOLATE AND WHITENER SELECTION	*
27	6237447	CANISTER ASSEMBLY - CHOCOLATE (ONE OR TWO REQUIRED DEPENDING ON SELECT/WHIPPER OPTION) (FIGURE 25)	OPT
28	6237438	MOTOR AND PLATE ASSEMBLY - COFFEE - 115VAC # USED WITH EACH FRESH BREW COFFEE OR DECAF SELECTION	#

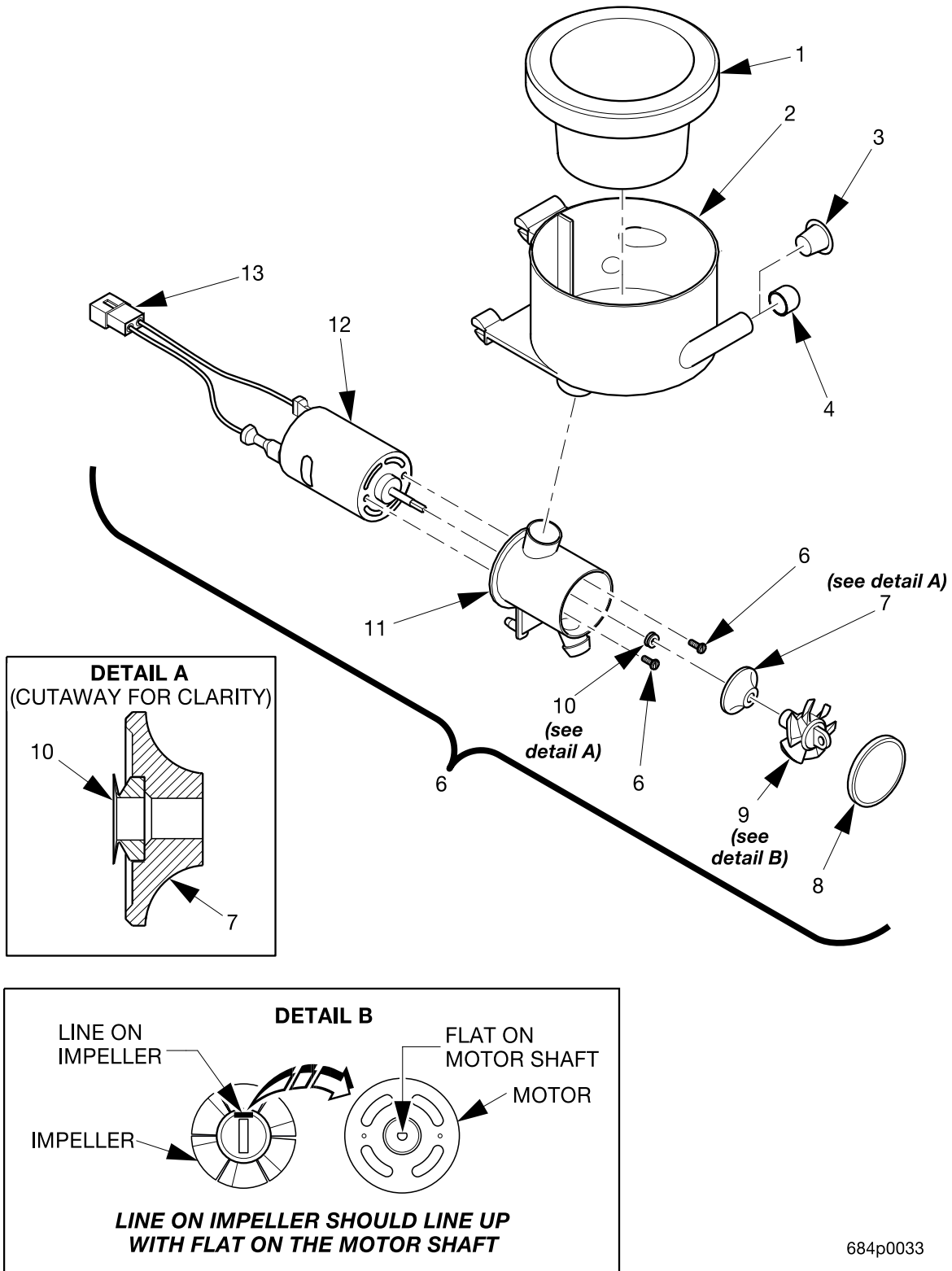


Figure 19. Mixing Bowl and Whipper Assemblies

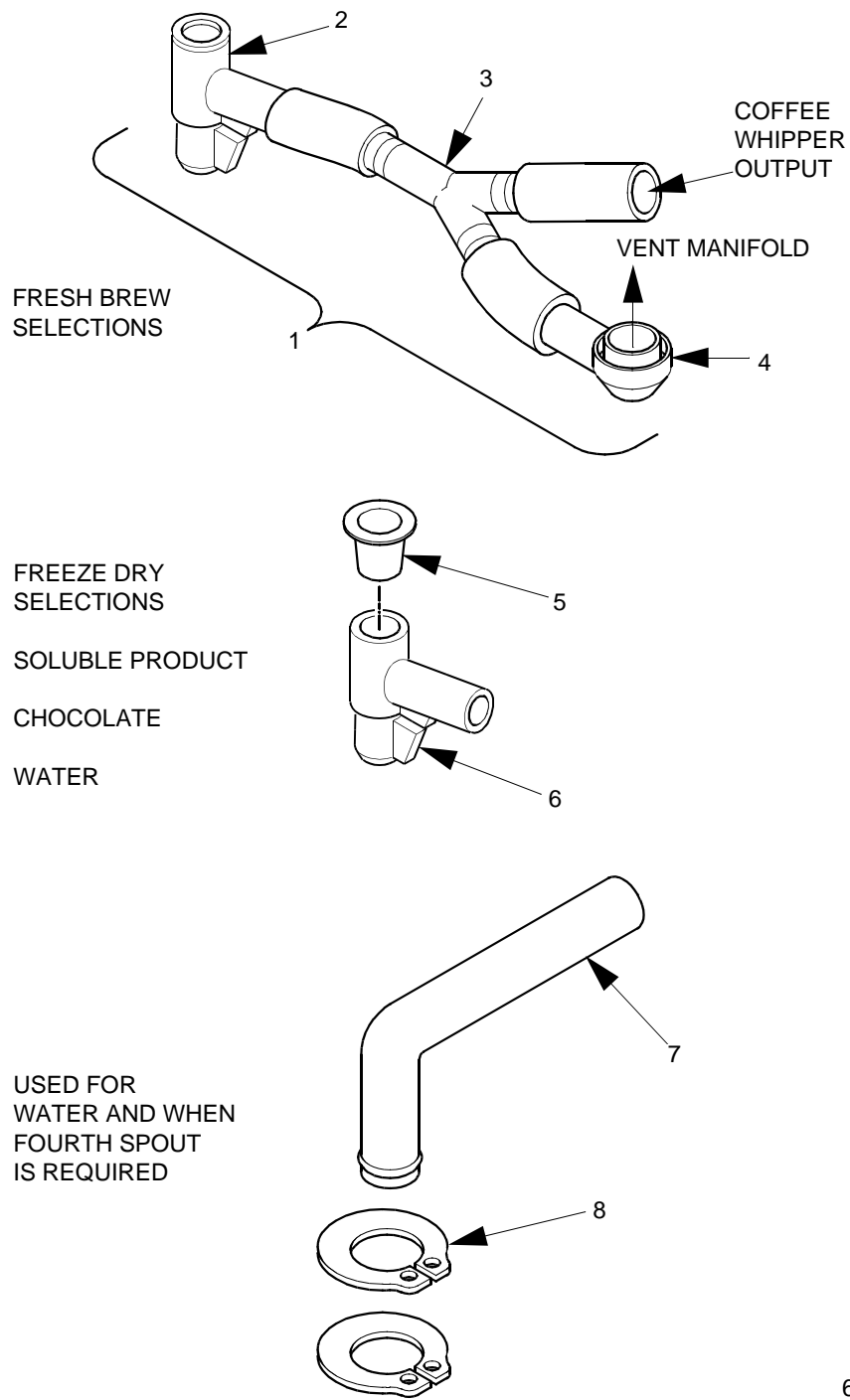


**TABLE 19. MIXING BOWL AND WHIPPER ASSEMBLIES**

INDEX	PART NUMBER	DESCRIPTION	QUANTITY PER MIXING BOWL ASSEMBLY (BY PART NUMBER)	
			6237127	6417000
1	6237313	VENT-BOWL	1	1
2	6237118	MIXING BOWL	1	-
2	6417001	MIXING BOWL-CUT OFF	-	1
3	4711020	CAPLUG-SPOUT-NATURAL	-	1
4	6237306	VINYL CAP- .38 I.D.	1	-
5	6237195	WHIPPER ASSEMBLY (INCLUDES INDEX NUMBERS 6 THROUGH 13)	1	1
6	6237119	SCREW-M3XL.5-6MM-SPH	2	2
7	6237192	SPACER-WHIPPER	1	1
8	6237114	COVER-WHIPPER	1	1
9	6237194	IMPELLER-WHIPPER	1	1
10	6237110	"V" RING-SHAFT SEAL	1	1
11	6237193	HOUSING-IMPELLER	1	1
12	6237111	MOTOR ASSEMBLY-WHIPPER	1	1
13	6237157	HARNESS-WHIPPER MOTOR	1	1

THE FOLLOWING IS INCLUDED IN THE BAG ASSEMBLY:

-	6237117	IMPELLER REMOVAL TOOL	-	-
---	---------	-----------------------	---	---

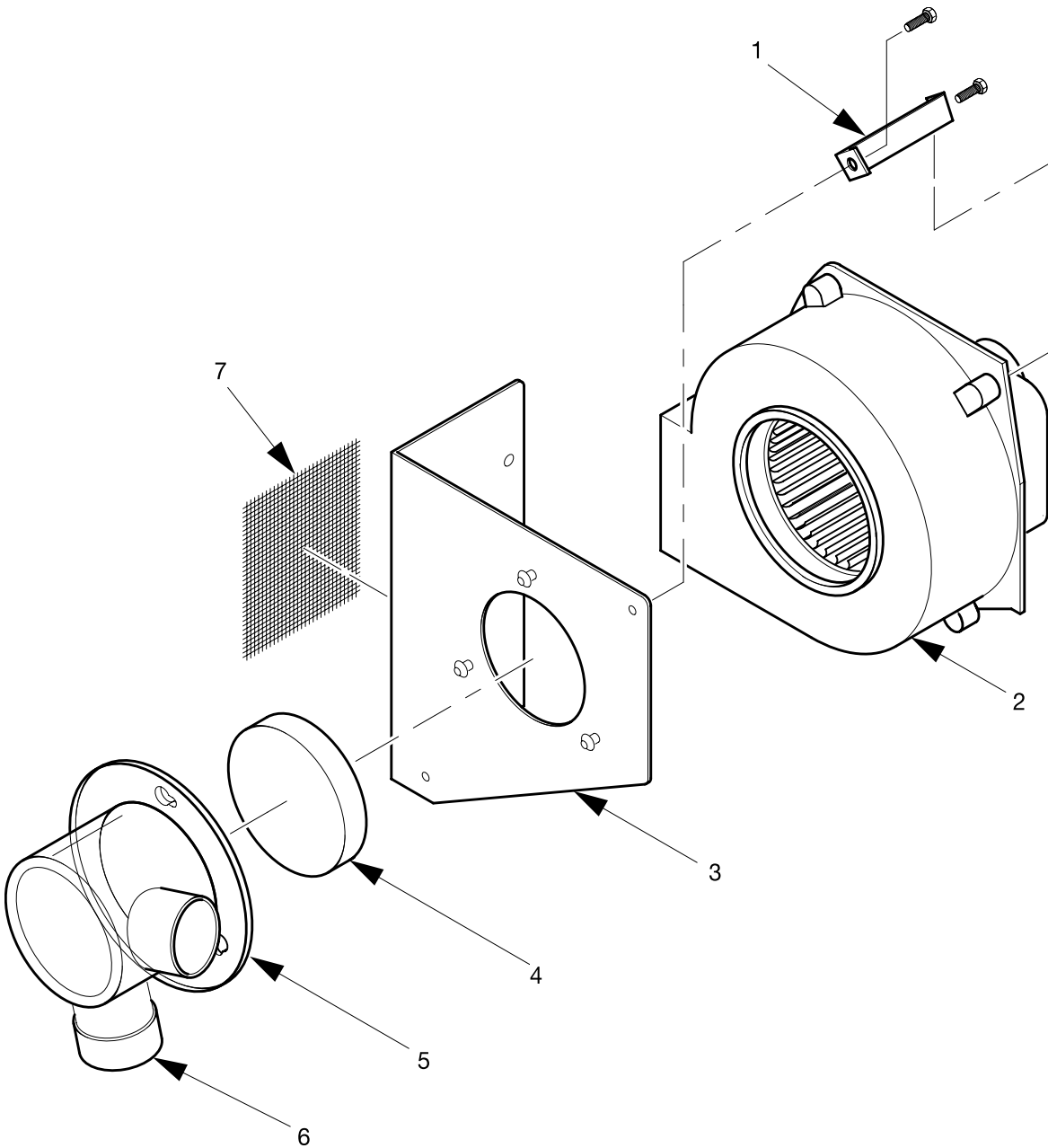


684p0032

Figure 20. Dispensing Spouts

**TABLE 20. DISPENSING SPOUTS**

INDEX	PART NUMBER	DESCRIPTION	QTY
1	6407031	COFFEE SPOUT & TUBE ASSEMBLY (INCLUDES INDEX NUMBERS 2 THROUGH 4) * USED WITH FRESH BREW SELECTIONS	*
2	6407032	SPOUT ASSEMBLY-SCREEN & CAP	*
3	6138094	CONNECTOR-"Y" TYPE	*
4	6407019	COUPLER-WHIPPER-LIQUID	*
5	4711020	CAPLUG-SPOUT-NATURAL # USED WITH FREEZE DRY COFFEE, SOLUBLE PRODUCT, HOT CHOCOLATE AND HOT WATER SELECTIONS. SEE INDEX NUMBERS 7 AND 8 WHEN A FOURTH SPOUT IS REQUIRED	#
6	6407044	SPOUT-DISPENSING-W/SPLITTER	#
7	6407029	NOZZLE-HOT WATER @ USED WITH HOT WATER SELECTION WHEN A FOURTH SPOUT IS REQUIRED	@
8	6407030	RETAINING RING-SELF LOCKING	2-@



688p0045

Figure 21. Blower Assembly

**TABLE 21. BLOWER ASSEMBLY**

INDEX	PART NUMBER	DESCRIPTION	QTY
-	6841030	BRACKET AND BLOWER ASSEMBLY 115 VAC (INCLUDES ITEMS 1 THROUGH 6)	1
1	6231553	TIEDOWN - BLOWER ASSEMBLY	1
2	6231548	BLOWER - 115 VAC	1
3	6841031	BRACKET ASSEMBLY - BLOWER MOUNTING	1
4	6237340	FILTER - EXHAUST BLOWER	1
5	6237342	HOUSING - EXHAUST BLOWER	1
6	6237305	VINYL CAP	1
7	6841028	SCREEN - EXHAUST FAN	1

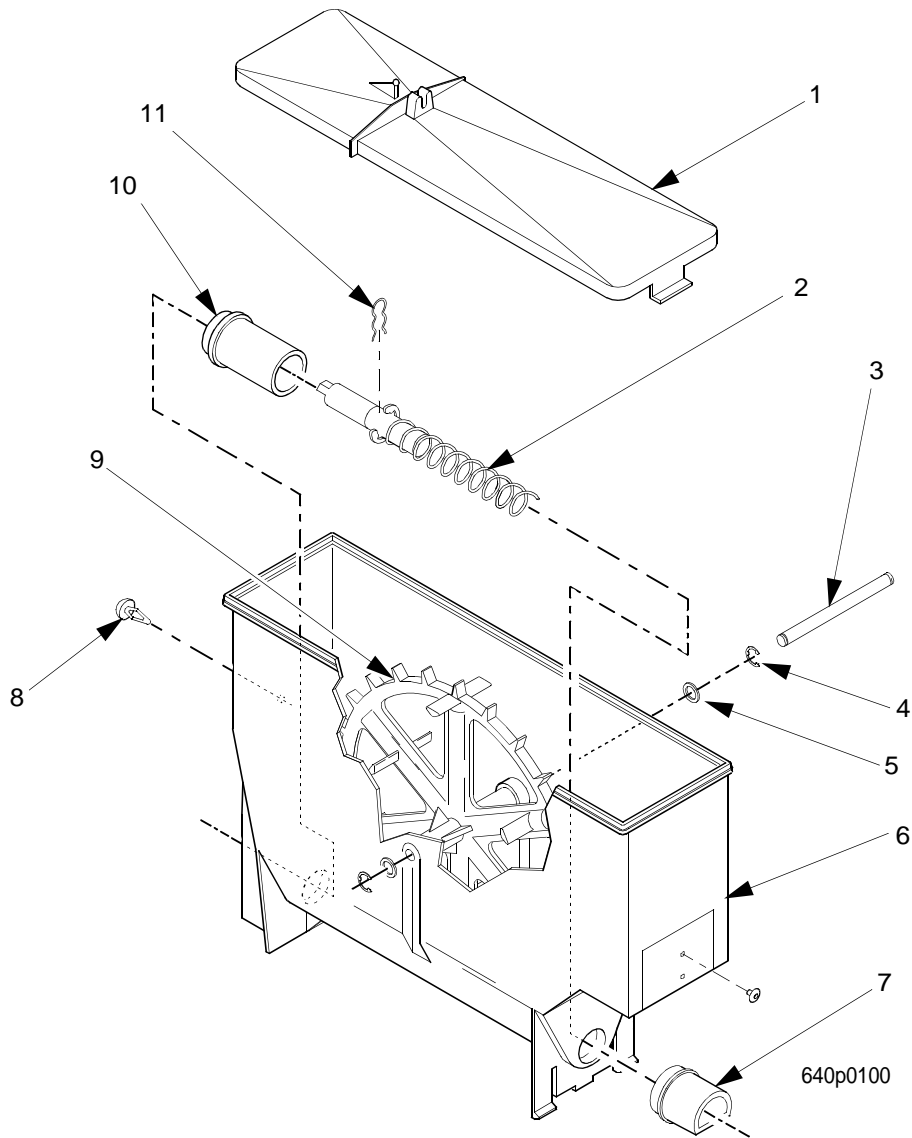


Figure 22. Canister Assembly - Freeze Dried Coffee

**TABLE 22. CANISTER ASSEMBLY - FREEZE DRIED COFFEE**

<b>INDEX</b>	<b>PART NUMBER</b>	<b>DESCRIPTION</b>	<b>QTY</b>
-	6237445	CANISTER ASSEMBLY - FD COFFEE	REF
1	6237023	LID - CANISTER	1
2	6237176	BASE - CANISTER	1
3	6237080	NOZZLE - DISPENSING - F.D.COFFEE	1
4	6237178	AUGER AND SHAFT ASSEMBLY	1
5	6337020	CLIP - SPRING	1
6	9900415	RETAINING RING REINF E TYP .156	2
7	6237116	WASHER - SEAL - WEAR PLATE	2
8	6237167	SHAFT - CANISTER	1
9	6237053	FASTENER - PUSH IN	1
10	6237014	BEARING - CANISTER	1
11	6237181	MIXING WHEEL	1

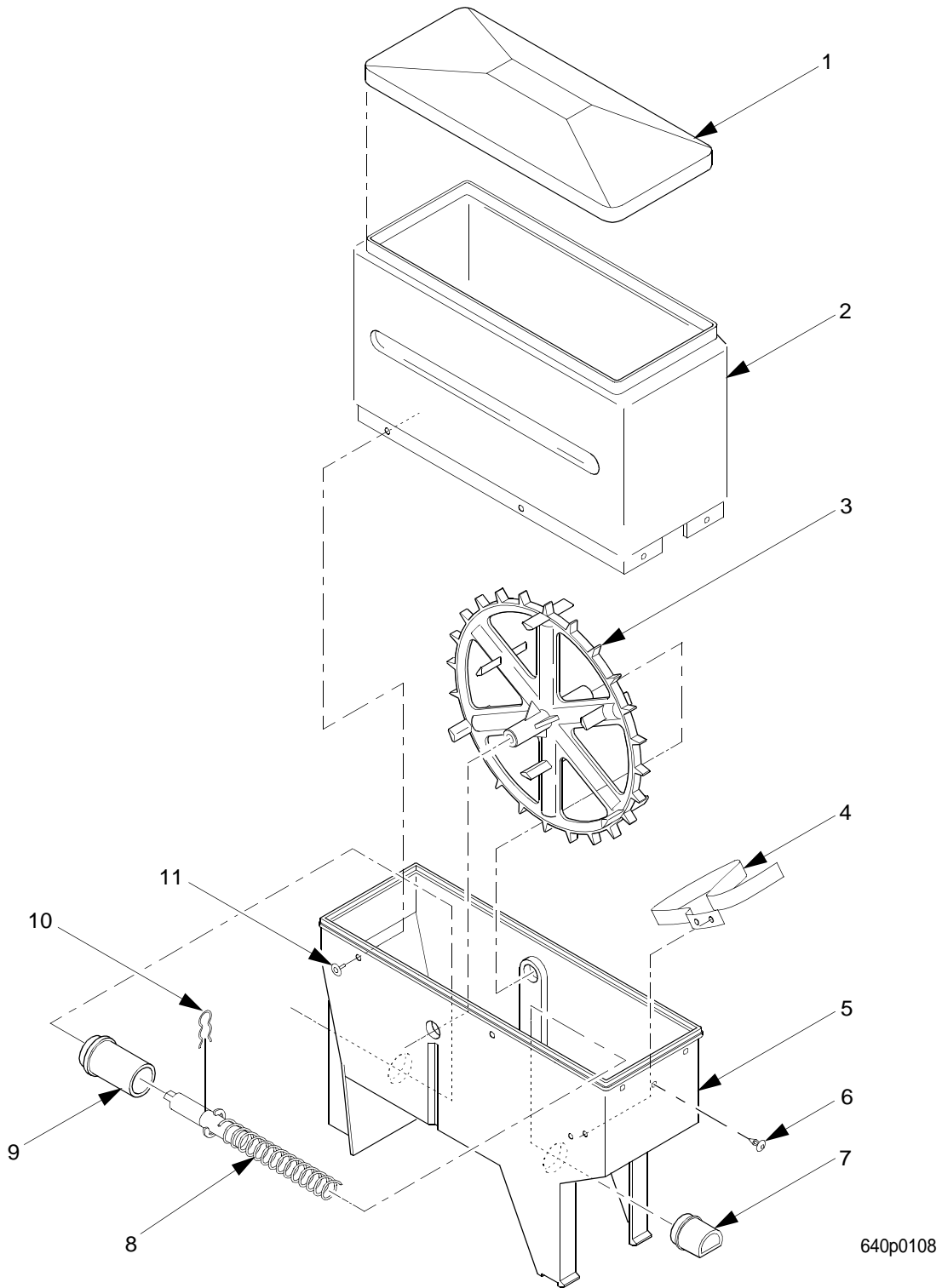


Figure 23. Canister Assembly - Preground Coffee



**TABLE 23. CANISTER ASSEMBLY - PREGROUND COFFEE**

<b>INDEX</b>	<b>PART NUMBER</b>	<b>DESCRIPTION</b>	<b>QTY</b>
-	6407043	CANISTER ASSEMBLY - PREGROUND COFFEE	REF
1	6407021	LID - CANISTER - FB COFFEE	1
2	6407047	SLEEVE - CANISTER - FB COFFEE - SHORT	1
3	6407045	MIXING WHEEL ASSEMBLY - FB COFFEE	1
4	6237014	BEARING - CANISTER	1
5	6237053	FASTENER - PUSH IN	3
6	6407023	SPRING - THUMPER - COFFEE - PREGROUND	1
7	6237063	NOZZLE - DISPENSING - CANISTER	1
8	6237095	AUGER AND SHAFT ASSEMBLY - COFFEE	1
9	6337020	CLIP - SPRING	1
10	6237019	ALUMINUM "POP" RIVET - .187 DIA.	8
11	6407042	BASE - PREGROUND COFFEE - DRILLED	1

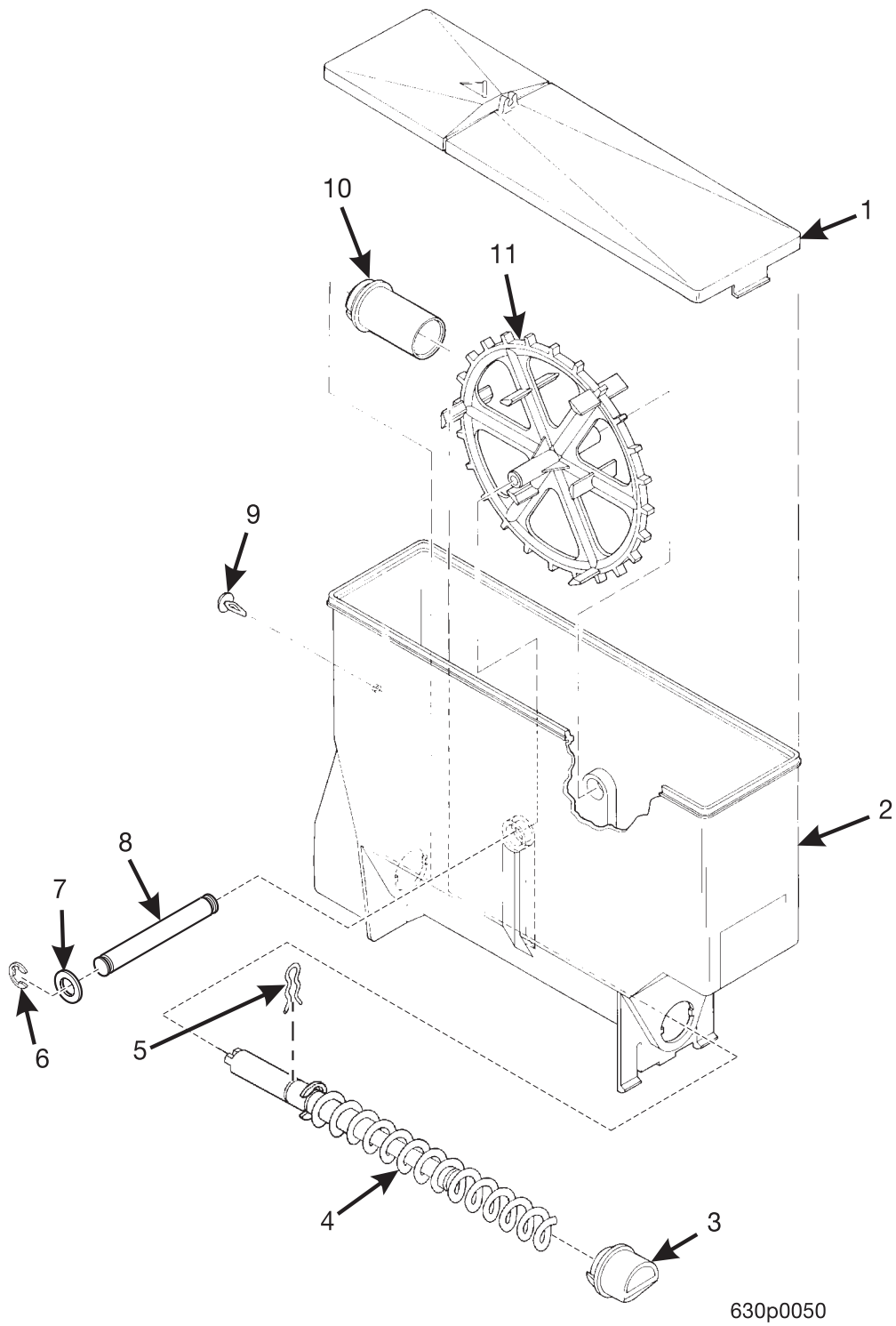
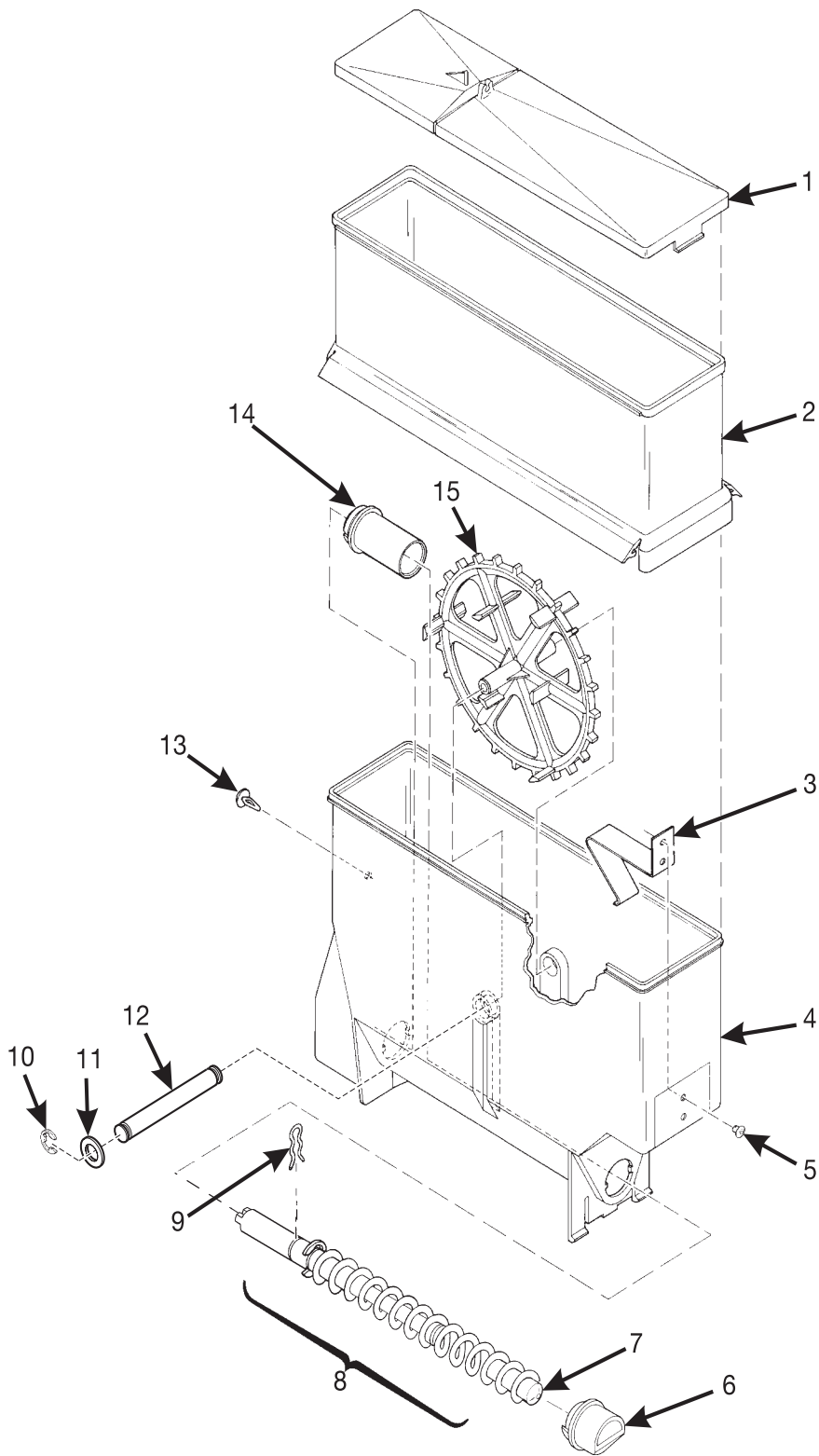


Figure 24. Canister Assembly - No Sleeve

**TABLE 24. CANISTER ASSEMBLY - NO SLEEVE**

<b>INDEX</b>	<b>PART NUMBER</b>	<b>DESCRIPTION</b>	<b>QTY</b>
-	6237450	CANISTER ASSEMBLY - NO SLEEVE - WITH WHEEL	REF
1	6237023	LID - CANISTER	1
2	6237176	BASE - CANISTER	1
3	6237063	NOZZLE - DISPENSING - CANISTER	1
4	6237178	AUGER AND SHAFT ASSEMBLY	1
5	6337020	CLIP - SPRING	1
6	9900415	RETAINING RING REINF E TYP .156	2
7	6237116	WASHER - SEAL - WEAR PLATE	2
8	6237167	SHAFT - CANISTER	1
9	6237053	FASTENER - PUSH IN	1
10	6237014	BEARING - CANISTER	1
11	6237181	MIXING WHEEL	1

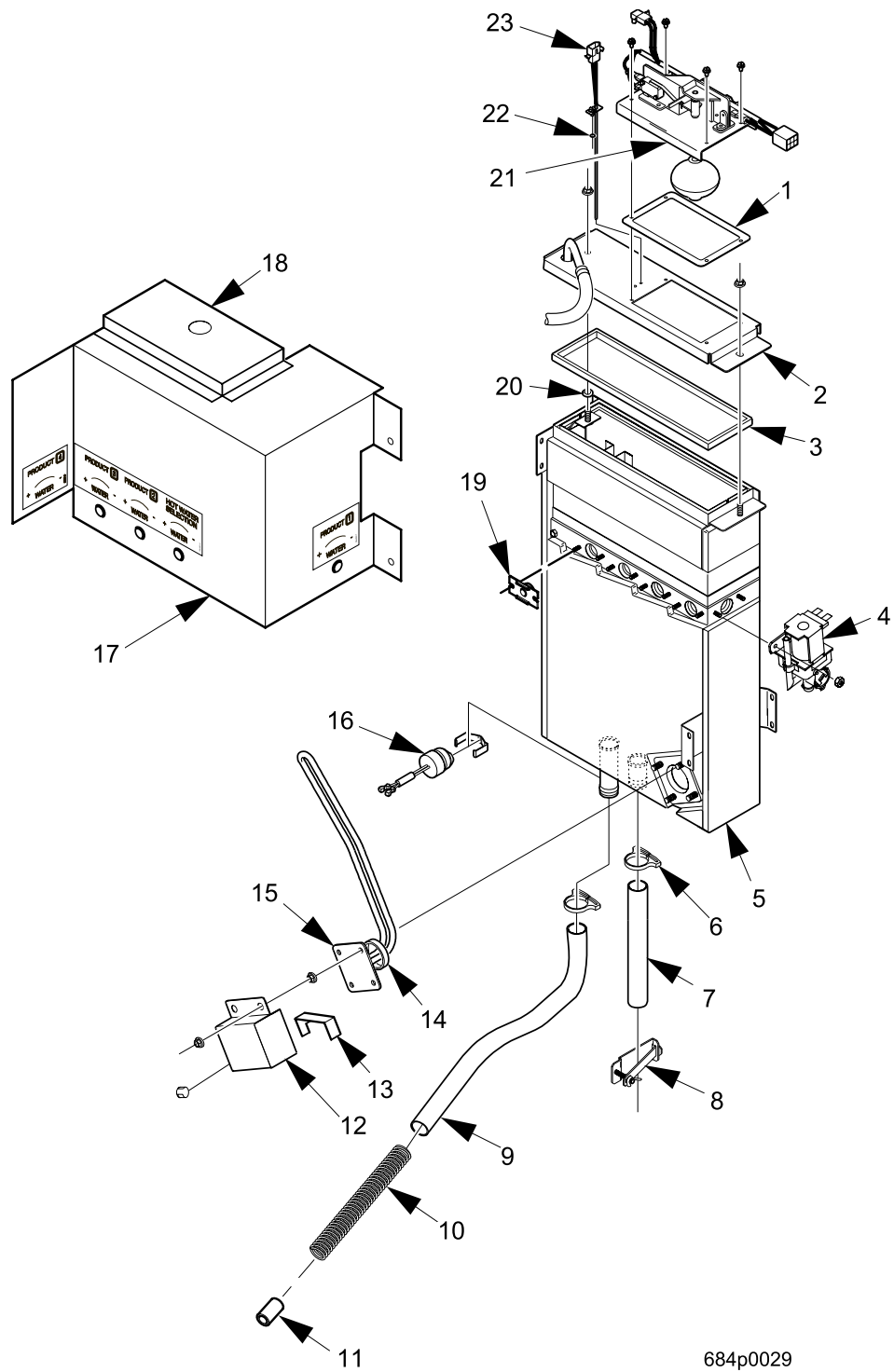


630p0046

Figure 25. Canister Assembly - Chocolate

**TABLE 25. CANISTER ASSEMBLY - CHOCOLATE**

<b>INDEX</b>	<b>PART NUMBER</b>	<b>DESCRIPTION</b>	<b>QTY</b>
-	6237447	CANISTER ASSEMBLY - CHOCOLATE	1
1	6237023	LID - CANISTER	1
2	6237439	SLEEVE - CANISTER	1
3	6237108	SPRING - THUMPER	1
4	6237177	BASE - CANISTER	1
5	6237019	ALUMINUM "POP" RIVET - .187 DIA.	2
6	6237080	NOZZLE - DISPENSING - F.D.COFFEE	1
7	6237046	PLUG - AUGER	1
8	6237178	AUGER AND SHAFT ASSEMBLY	1
9	6337020	CLIP - SPRING	1
10	9900415	RETAINING RING REINF E TYP .156	2
11	6237116	WASHER - SEAL-WEAR PLATE	2
12	6237167	SHAFT - CANISTER	1
13	6237053	FASTENER - PUSH IN	1
14	6237014	BEARING - CANISTER	1
15	6237181	MIXING WHEEL	1



684p0029

Figure 26. Water Tank Assembly

**TABLE 26. WATER TANK ASSEMBLY**

INDEX	PART NUMBER	DESCRIPTION	QTY
-	6848000	WATER TANK ASSEMBLY - DOMESTIC - 115V	1
1	6408036	GASKET-FLOAT-MTG.BRACKET	1
2	6408032	COVER ASSEMBLY-WELD-H.W.T.	1
3	6408105	GASKET-VULCANIZED-H.W.T.	1
4	6238112X	VALVE ASSEMBLY-H.W.T.-115V * USE ONE FOR FRESH BREW SELECTIONS AND ONE FOR EACH FREEZE DRY COFFEE, SOLUBLE PRODUCT, HOT CHOCOLATE AND HOT WATER SELECTION	*
5	6848002	WATER TANK ASSEMBLY	1
6	6408125	CLAMP-TUBE	2
7	6408210	TUBE-6408208-5.0"	1
8	6408154	PINCH CLAMP ASSEMBLY	1
9	6408209	TUBE-6408208-18.5"	1
10	6408126	SPRING-COIL	1
11	6408121	COVER-HEATER TERMINALS	1
12	6408230	INSULATOR-HEATER COVER	1
13	6238042	GASKET-HEATER	1
14	6338041	HEATER-1250W-120V	1
15	6849014	THERMOSTAT ASSEMBLY-AUTO RESET	1
16	6841026	COVER-WATER VALVES	1
17	6841027	COVER-WATER TANK FLOAT	1
18	6238045	PLUG ASSEMBLY-HOT WATER VALVE # ONE USED IN EACH VALVE POSITION WHENEVER A WATER VALVE IS NOT PRESENT	#
19	6408120	"O" RING-.25 ID	2
20	6848019	FLOAT ASSEMBLY-FINAL (FIGURE 27)	1
21	6138287	"O" RING	2
22	6338051	SENSOR-TEMPERATURE-H.W.T.	1

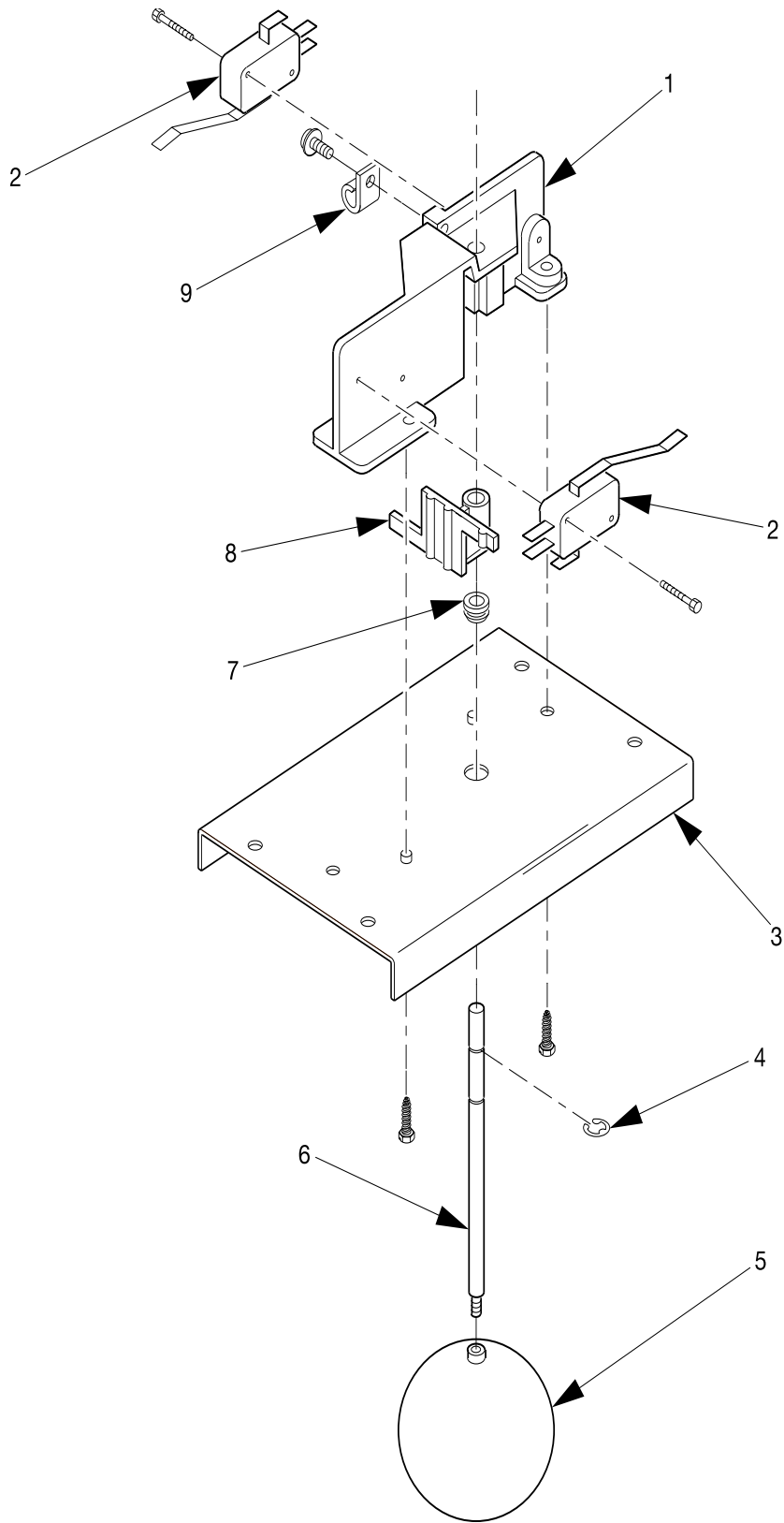


Figure 27. Float Assembly - Water Tank



**TABLE 27. FLOAT ASSEMBLY - WATER TANK**

INDEX	PART NUMBER	DESCRIPTION	QTY
-	6848019	FLOAT ASSEMBLY - FINAL	1
1	6238068	BRACKET - MOUNTING - SWITCH	1
2	6238084	SWITCH - LEVER - 10 GRAMS	1
3	6408035	BRACKET - FLOAT MOUNTING	1
4	6124073	RETAINING RING "E" TYPE	2
5	6508033	FLOAT - WATER TANK	1
6	6338049	SHAFT	2
7	6338050	BEARING - LID - HOT WATER TANK	2
8	6138183	ACTUATOR - SWITCH	1
9	1211161	CABLE CLAMP - RICHCO # N4	1

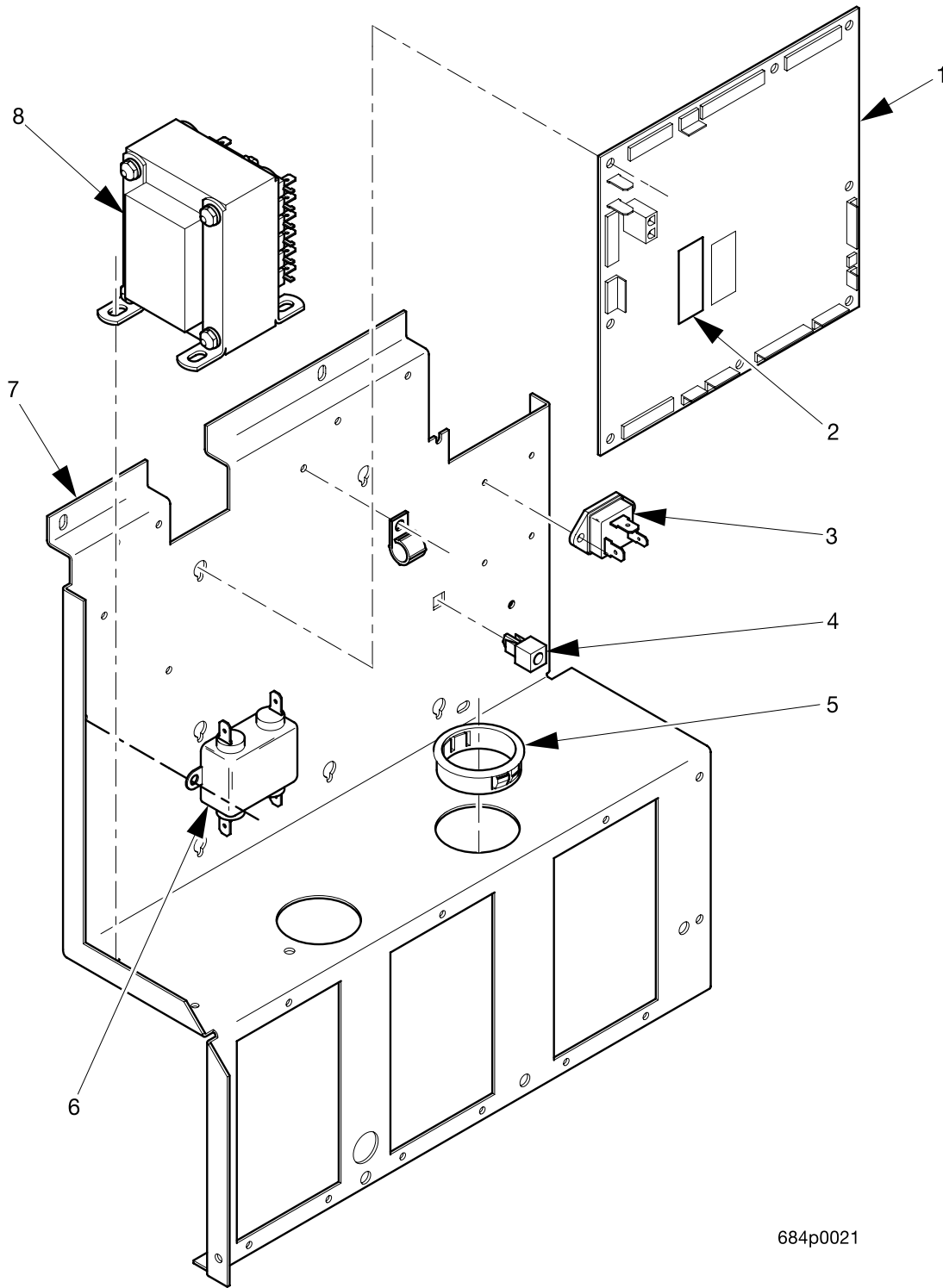
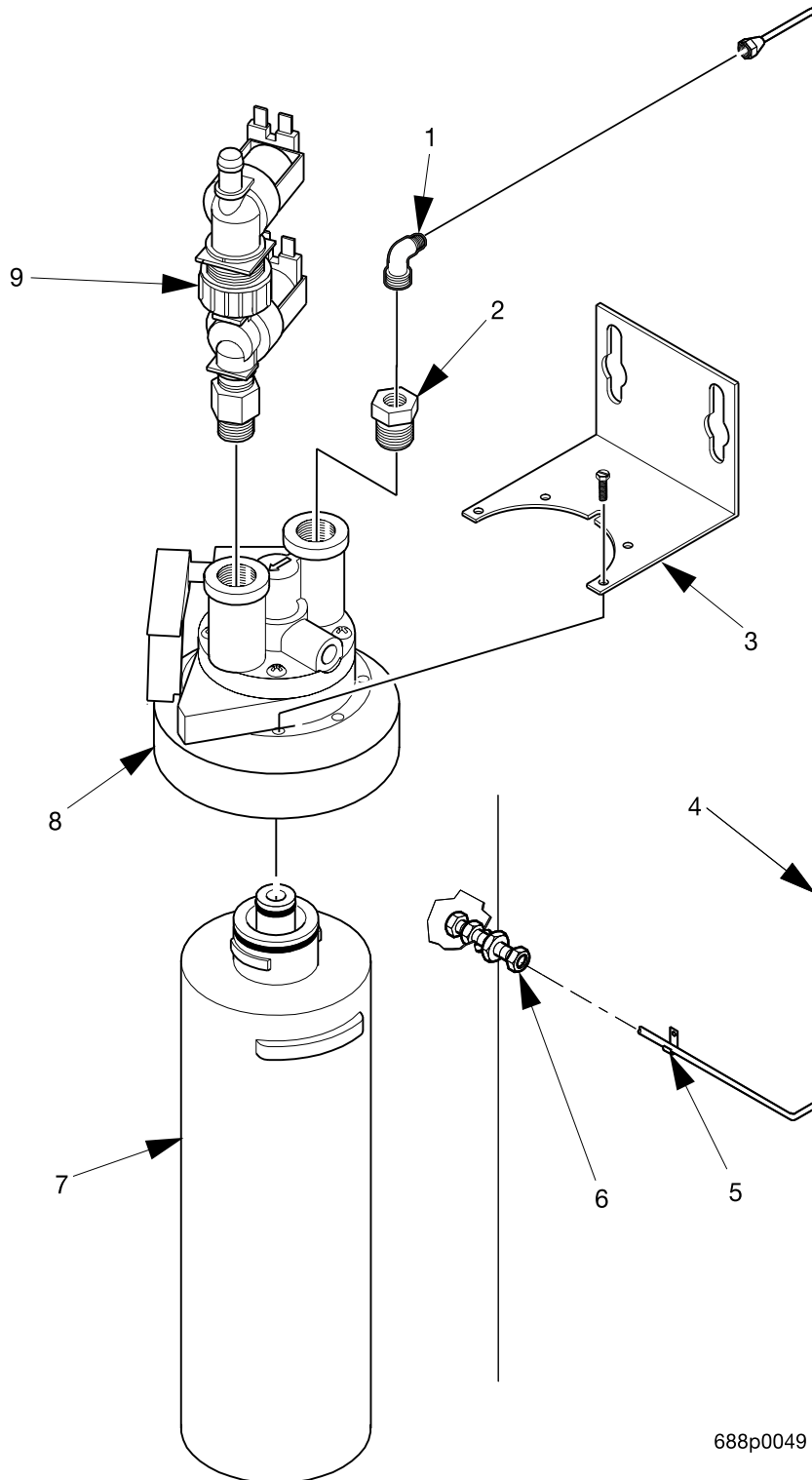


Figure 28. Power Panel and Support Assembly-115V

TABLE 28. POWER PANEL AND SUPPORT ASSEMBLY-115V

INDEX	PART NUMBER	DESCRIPTION	QTY
-	6841018	POWER PANEL & SUPPORT ASSEMBLY-115V	REF
1	6846000	PCB ASSEMBLY-CONTROLLER-CAFE7/EXEC.	1
2	-	IC ASSEMBLY-EPROM SEE LABEL ON EPROM FOR CORRECT PART NUMBER	1
3	9983778	TRIAC-35A-600V	1
4	1571034	STANDOFF-PCB-3/8 SCREW MOUNT	1
5	6106021	BUSHING #SB1500-21	2
6	9989100	INTERFERENCE FILTER	1
7	6841019	SUPPORT-CANISTER MOTOR	1
8	9989046	24V XFMR-DUAL PIR.-.187 TERM.	1



688p0049

Figure 29. Everpure Water Valve and Filter Option

**TABLE 29. EVERPURE WATER VALVE AND FILTER OPTION**

INDEX	PART NUMBER	DESCRIPTION	QTY
-	6848008	FILTER HEAD ASSEMBLY - EVERPURE - 115 VAC (INCLUDES INDEX NUMBERS 1 THROUGH 3 AND 8 AND 9)	1
1	6848009	MALE ELBOW-BRASS-#4-4	1
2	6408117	BUSHING - 1/4 X 3/8 - BRASS	1
3	3158023	BRACKET - MOUNTING - WATER FILTER	1
4	6848007	INLET LINE - COPPER (MADE FROM COPPER TUBING 9082699)	1
5	2342315	CLIP - WIRE	1
6	6408118	BULKHEAD UNION-BRASS #4	
7	6408135	WATER FILTER - EVERPURE	1
8	6408134	FILTER HEAD - EVERPURE FILTER	1
9	3158061	VALVE ASSEMBLY - WATER INLET - 115 VAC (USED ON 115 VAC FILTER HEAD ASSEMBLY)	1

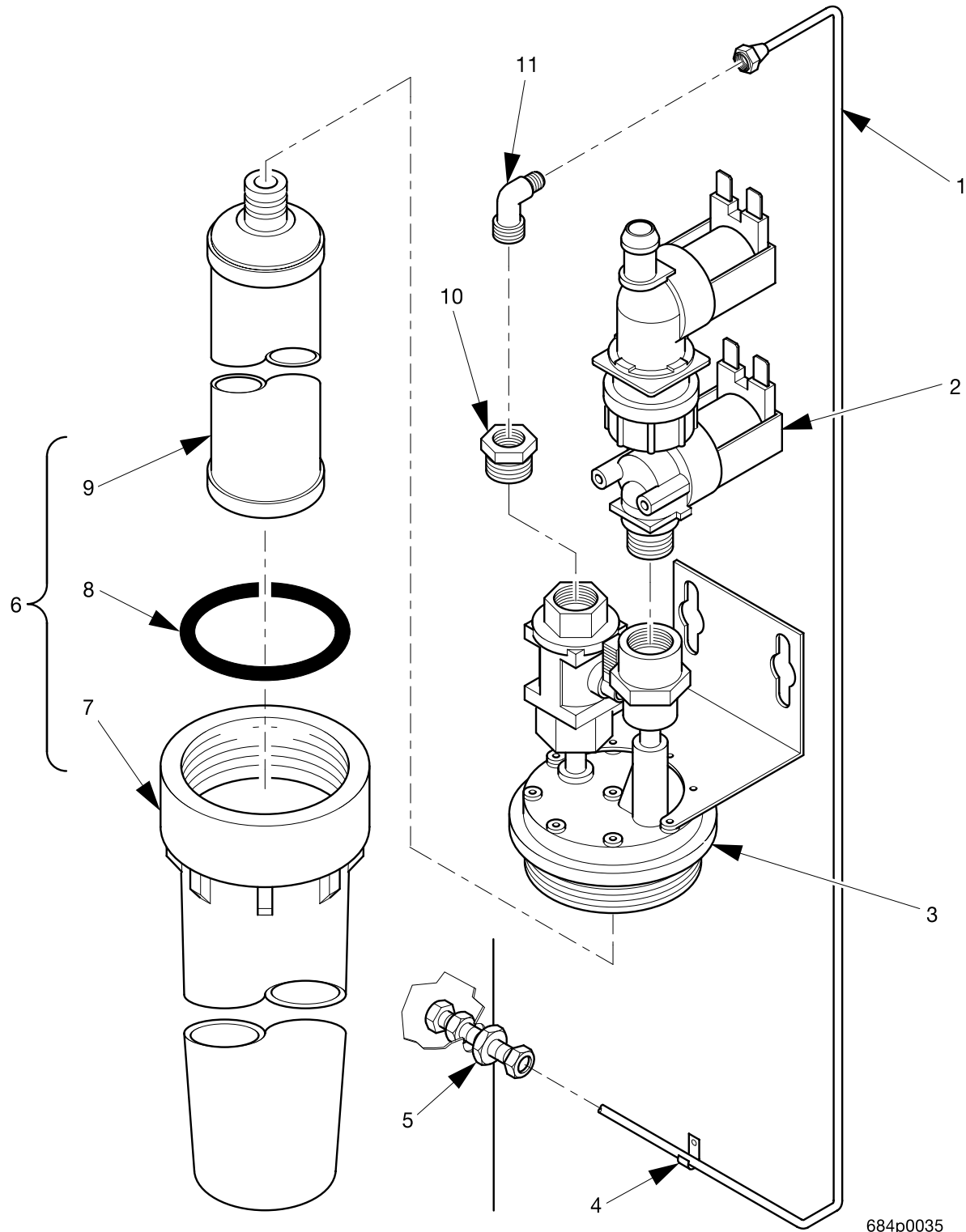


Figure 30. Hydrolife Water Valve and Filter Option

**TABLE 30. HYDROLIFE WATER VALVE AND FILTER OPTION**

INDEX	PART NUMBER	DESCRIPTION	QTY
1	6848007	INLET LINE-COPPER (MADE FROM COPPER TUBING 9082699)	1
2	3158061	VALVE ASSEMBLYY-WATER INLET - 115V	1
3	6338027	HEAD-BRACKET ASSEMBLY	1
4	2342315	CLIP-WIRE HARNESS	2
5	6408118	BULKHEAD UNION-BRASS #4	
6	6408028	HOUSING, CARTRIDGE AND "O"RING	1
7	-	HOUSING (NOT AVAILABLE SEPARATELY)	1
8	-	"O" RING (NOT AVAILABLE SEPARATELY)	1
9	6408027	CARTRIDGE-FILTER - HYDROLIFE	1
10	6408117	BUSHING-1/4X3/8-BRASS	
11	6848009	MALE ELBOW-BRASS-#4	1

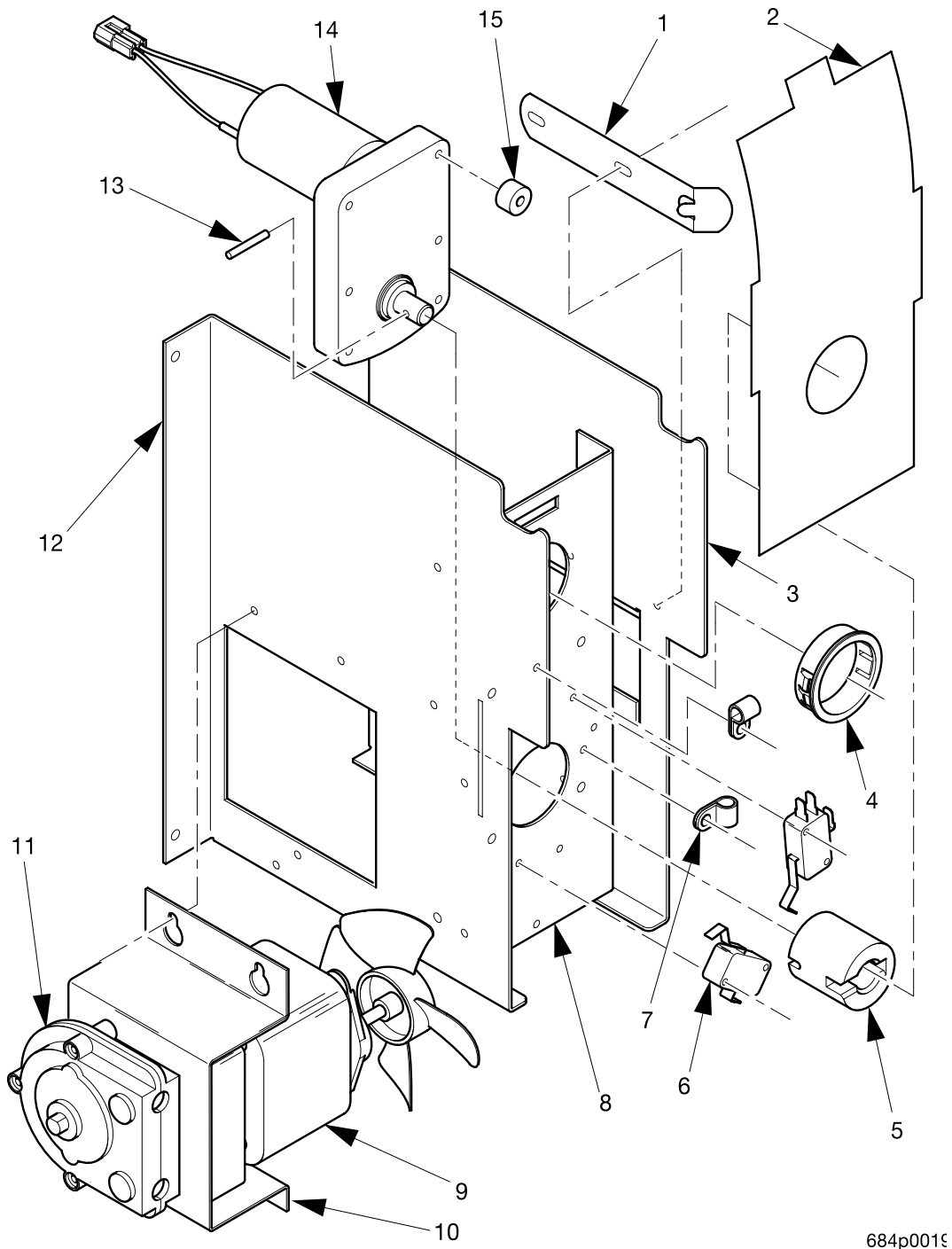
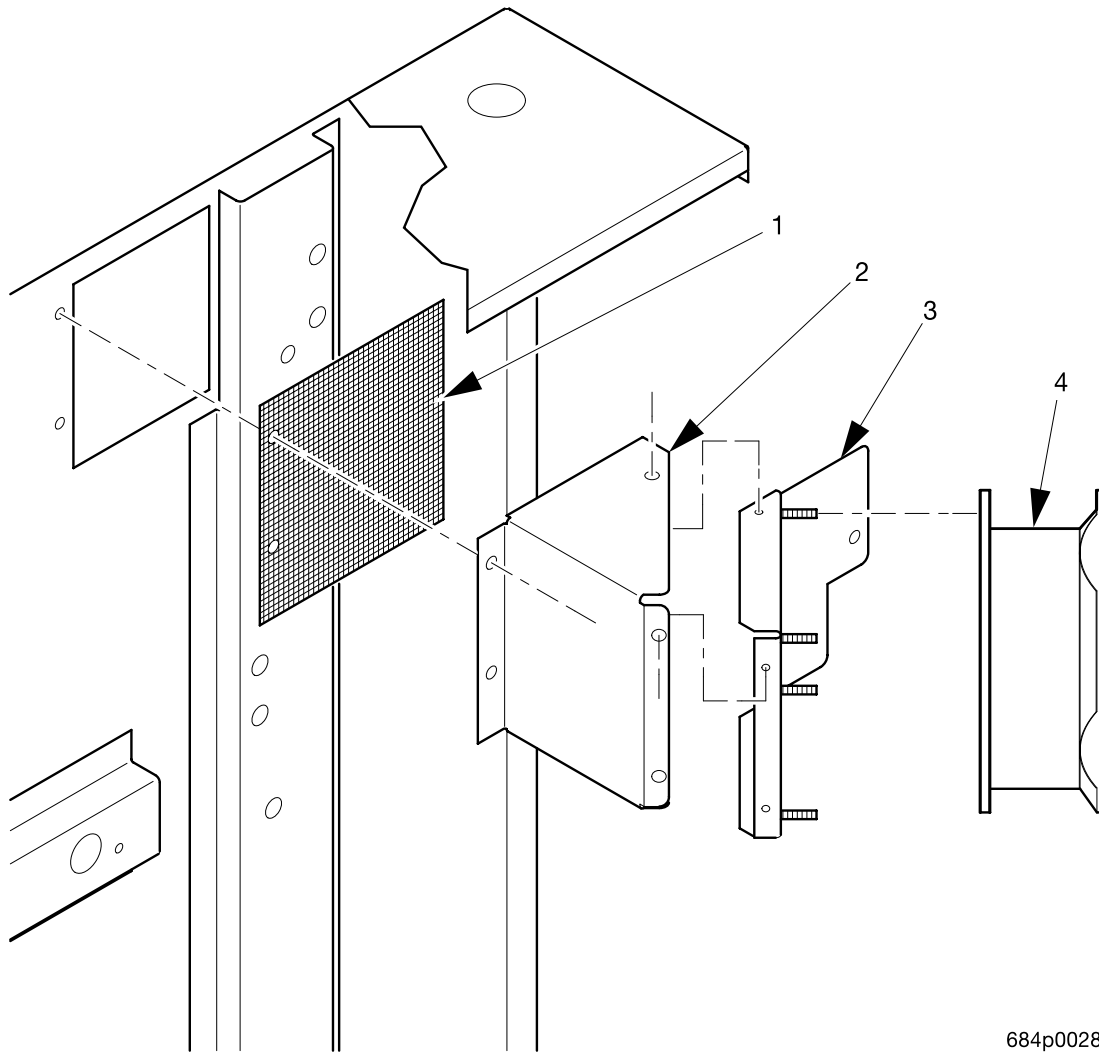


Figure 31. Brewer Drive and Pump Assemblies



**TABLE 31. BREWER DRIVE AND PUMP ASSEMBLIES**

INDEX	PART NUMBER	DESCRIPTION	QTY
	6844002	BREWER DRIVE AND PUMP ASSEMBLY -115 VAC VAC	REF
1	6404103	SPRING - BREWER LATCH	1
2	6404106	COVER - BREWER SWITCHES	1
3	6844004	PLATE - RIGHT SIDE - BREWER MOUNTING	1
4	6106021	BUSHING - # SB 1500-21	1
5	6404011	CYCLE CAM - SWITCH COUPLER	1
6	5220108	SWITCH	2
7	1211161	CABLE CLAMP	2
8	6404086	PLATE - BREWER MOTOR MOUNTING	1
-	6844005	PUMP ASSEMBLY (INCLUDES INDEX ITEMS 9, 10 AND 11)	1
9	6404076	MOTOR-BREWER PUMP-115V	1
-	6404120	FAN-BREWER PUMP MOTOR	1
10	6844006	BRACKET-PUMP MOUNTING	1
11	6404078	PERISTALTIC PUMP KIT	1
12	6231035	HARNESS - CLIP - .750	1
13	6844003	PLATE - LEFT SIDE - BREWER MOUNTING	1
14	4047061	ROLL PIN - 1/8 X 1/18	1
15	6404010	BREWER MOTOR - 24 VDC	1
16	4302134	SPACER - PC BOARD	4



684p0028

Figure 32. Upper Cabinet Fan Accessory

**TABLE 32. UPPER CABINET FAN ACCESSORY**

INDEX	PART NUMBER	DESCRIPTION	QTY
1	6841020	SCREEN-UPPER EXHAUST	1- OPT
2	6841034	HOUSING-FAN	1- OPT
3	6841035	HOUSING BACK ASSEMBLY-FAN	1- OPT
4	6231526	EXHAUST FAN	1- OPT

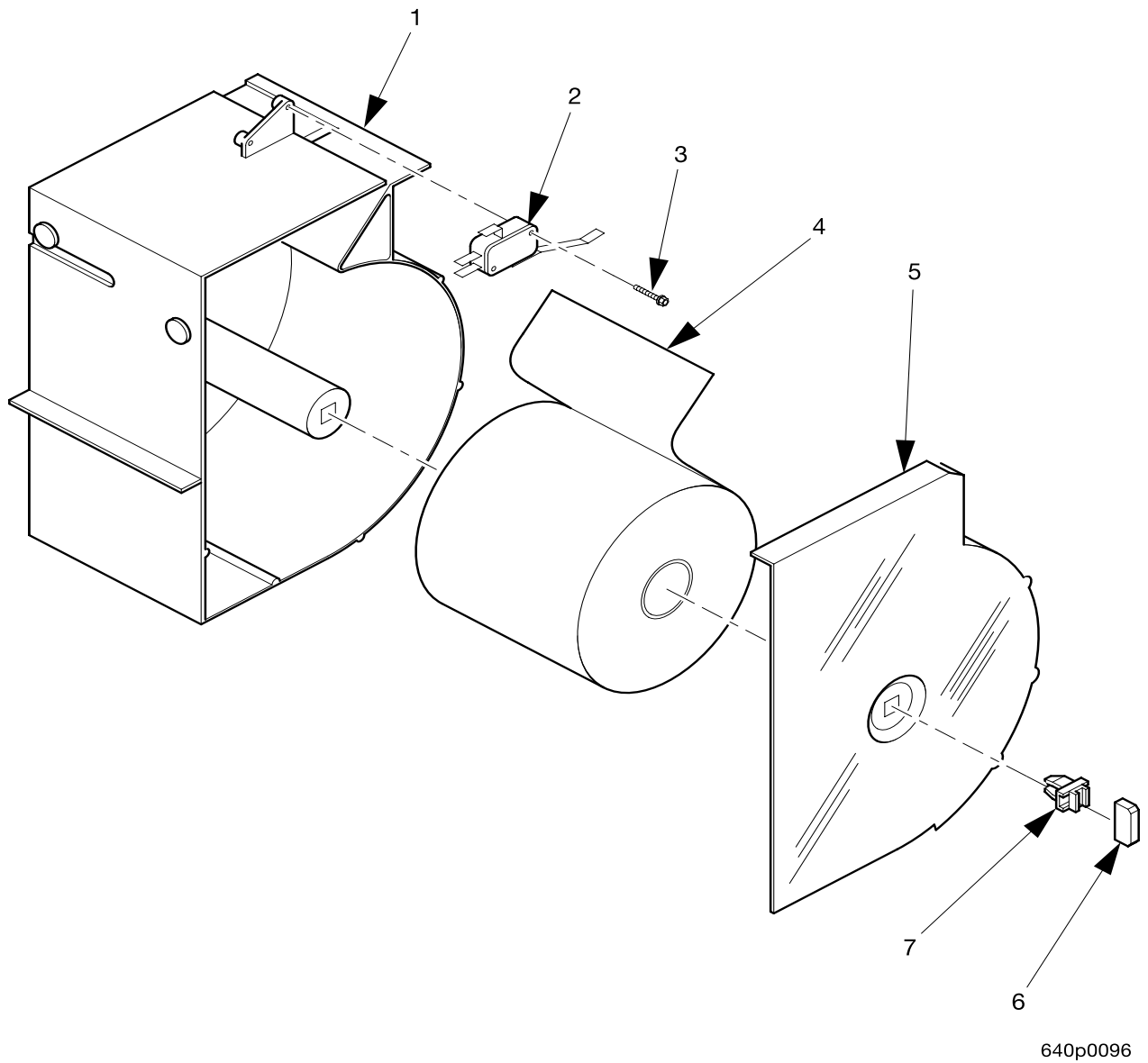
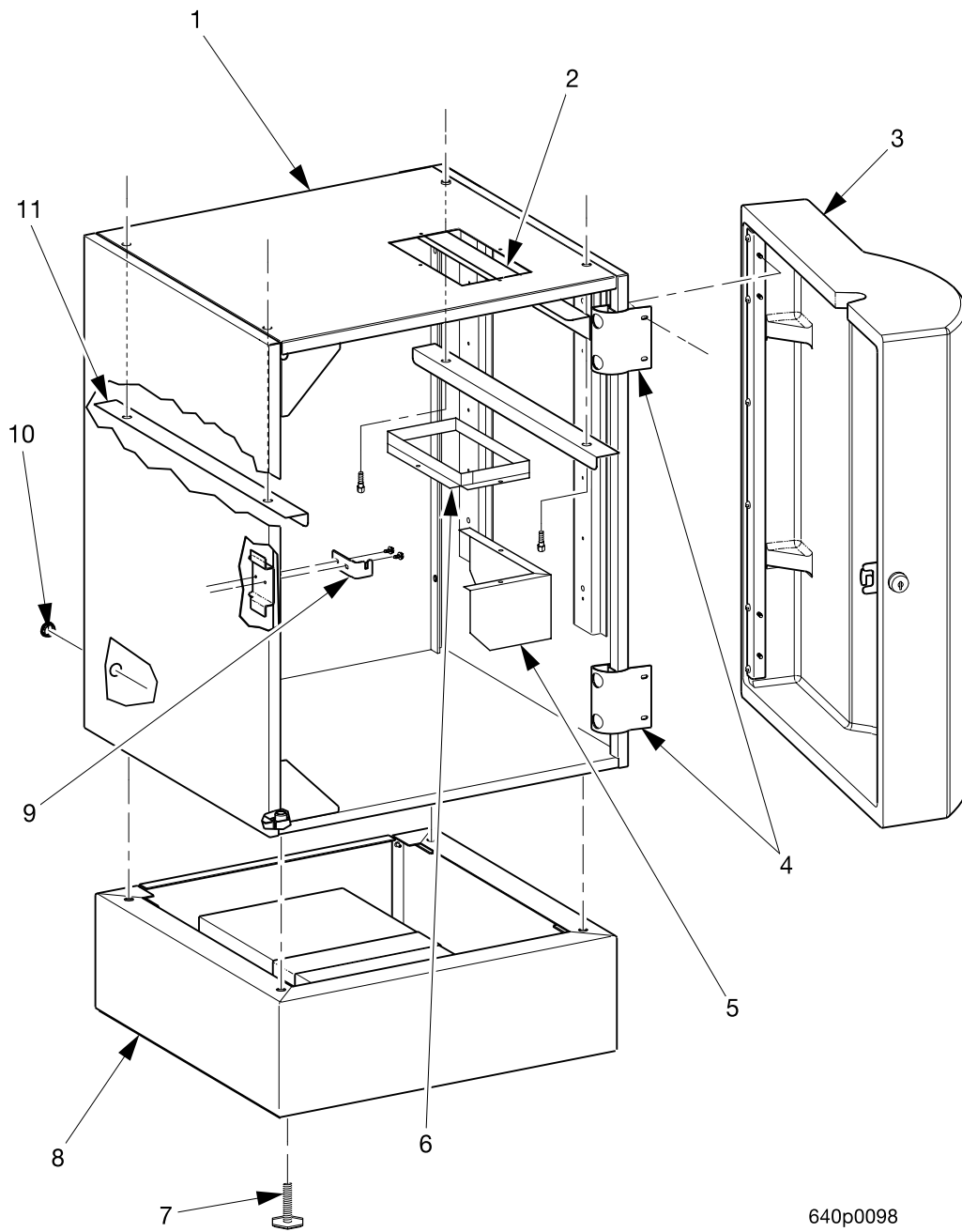


Figure 33. Filter Paper Housing Assembly

**TABLE 33. FILTER PAPER HOUSING ASSEMBLY**

INDEX	PART NUMBER	DESCRIPTION	QTY
-	6404112	FILTER PAPER HOUSING ASSEMBLY (INCLUDES INDEX ITEMS 1 THROUGH 7 EXCEPT 4)	1
1	6844001	FILTER PAPER HOUSING	1
2	3118011	SWITCH - LIMIT	1
3	6238070	SCREW - # 4-17 X 0.62 HX HD	2
4	6404043	PAPER - FILTER	1
5	6404054	COVER - FILTER PAPER	1
6	6404061	LATCH - 1/4 TURN	1
7	6404060	FASTENER - 1/4 TURN	1



640p0098

Figure 34. Base/Storage Cabinet Options - Part 1

**TABLE 34. BASE/STORAGE CABINET OPTIONS - PART 1**

INDEX	PART NUMBER	DESCRIPTION	QTY
-	-	BASE CABINET AND DOOR	REF
1	6841813	BASE CABINET ASSEMBLY-ADHESIVE BOND-WARM WHITE	1
	6841801	BASE CABINET ASSEMBLY-ADHESIVE BOND-GLACIER SILVER	
	6841821	BASE CABINET ASSEMBLY-ADHESIVE BOND-CHARCOAL	
2	6841832	SPACER - WASTE BUCKET	1
3	6841831	DOOR ASSEMBLY-BASE CABINET-GLACIER SILVER (FIGURE 36)	1
	6841837	DOOR ASSEMBLY-BASE CABINET-WARM WHITE (FIGURE 36)	
	6841838	DOOR ASSEMBLY-BASE CABINET-CHARCOAL (FIGURE 36)	
4	6841076	HINGE ASSEMBLY	2
5	6841862	DEFLECTOR - GROUNDS OPENING	1
6	6841863	ENCLOSURE - GROUNDS OPENING	1
7	6401809	LEVELER - BASE CABINET	4
8	6401835	SKIRT ASSEMBLY - RIVETED BASE	1
9	6841078	LATCH PLATE	1
10	6401851	PLUG - HOLE	1
	6441001	PLUG - HOLE - 0.594 DIA	
	6107103	PLUG - HOLE - 1 1/2 DIA	
11	6401819	ANGLE - MOUNTING - BASE/STORAGE CABINET	2

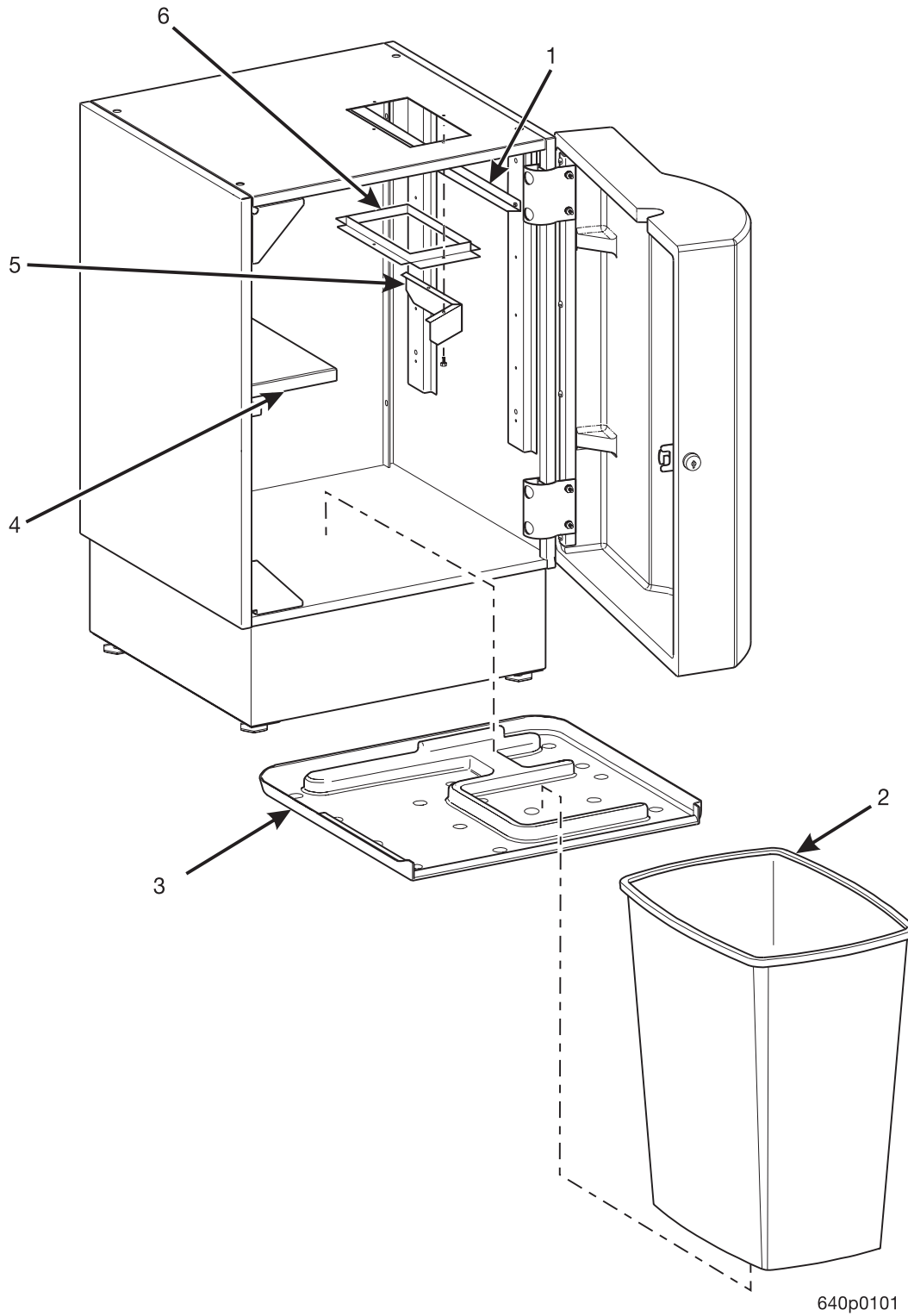


Figure 35. Base/Storage Cabinet Options - Part 2



**TABLE 35. BASE/STORAGE CABINET OPTIONS - PART 2**

INDEX	PART NUMBER	DESCRIPTION	QTY
1	6841832	SPACER - WASTE BUCKET	1
2	6231475	BUCKET - GROUNDS	1
3	6401009	LINER - FLOOR - CUTOUT	1
4	6841833	SHELF - BASE CABINET - NARROW	1
5	6841862	DEFLECTOR - GROUNDS OPENING	1
6	6841863	ENCLOSURE - GROUNDS OPENING	1
-	6231478	BAG - GROUNDS BUCKET	AR

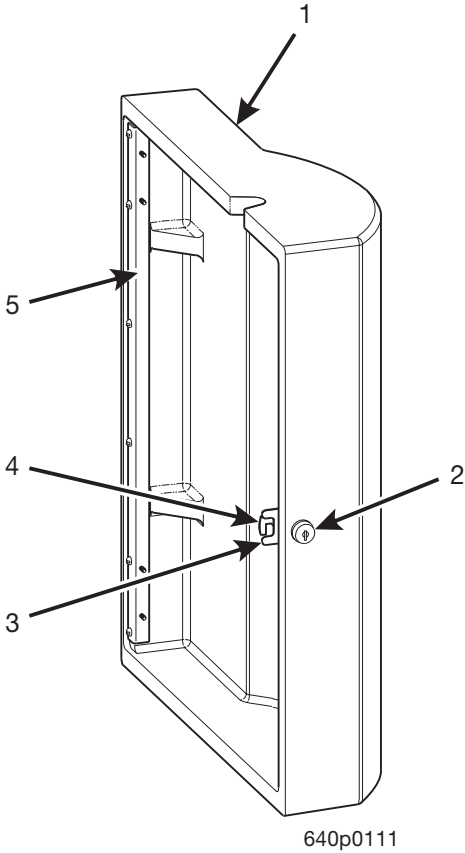
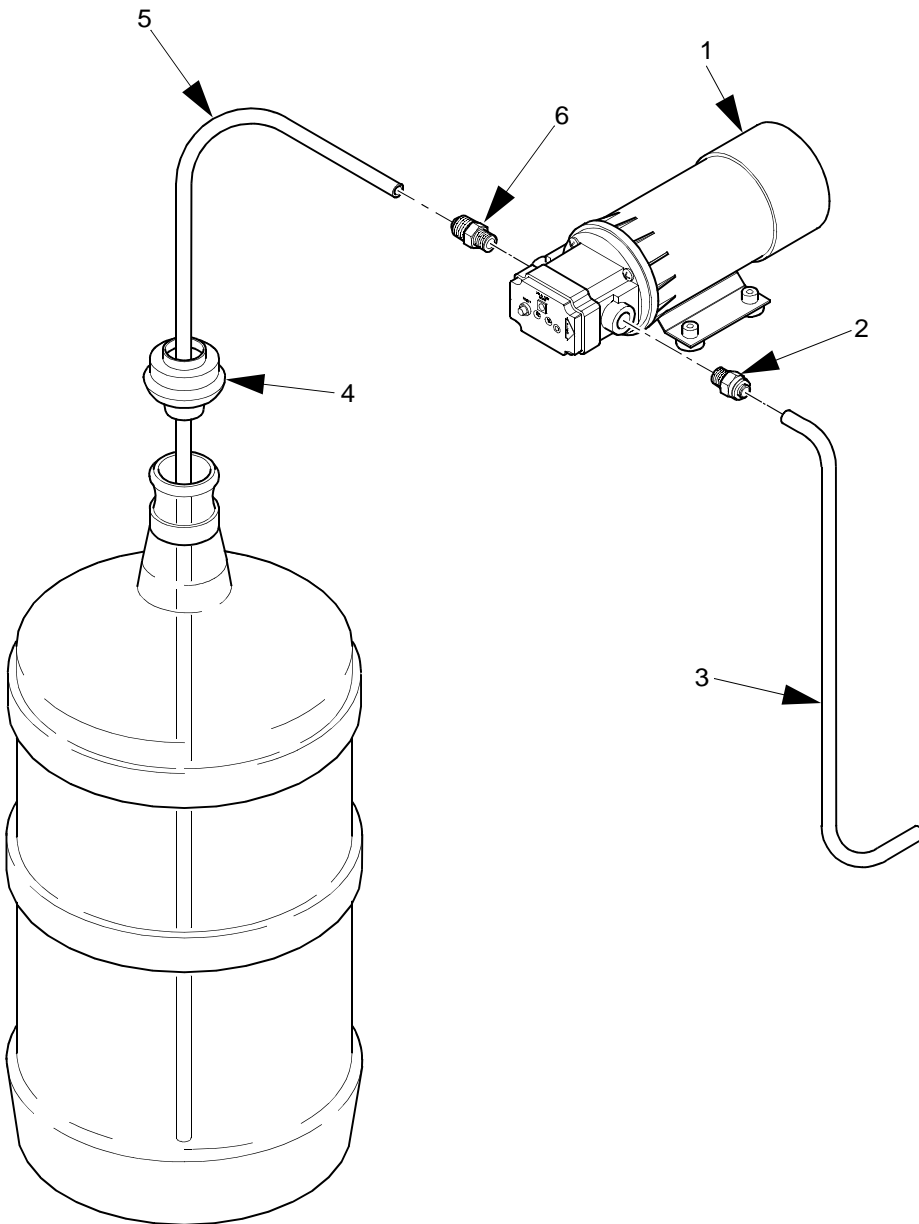


Figure 36. Door - Base Storage Cabinet

**TABLE 36. DOOR - BASE STORAGE CABINET**

INDEX	PART NUMBER	DESCRIPTION	QTY
-	6841831	DOOR ASSEMBLY-BASE CABINET-GLACIER SILVER (INCLUDES INDEX ITEMS 1 THROUGH 5)	1
	6841837	DOOR ASSEMBLY-BASE CABINET-WARM WHITE	
	6841838	DOOR ASSEMBLY-BASE CABINET-CHARCOAL	
1	6841834	DOOR -BASE CABINET - GLACIER SILVER	1
	6841835	DOOR-BASE CABINET-WARM WHITE	
	6841836	DOOR-BASE CABINET-CHARCOAL	
2	6401035	LOCK - DOOR - TTC	1
3	6841079	STRIKE - DOOR	1
4	6401053	CAM - LOCK - CHICAGO	1
5	6401863	BAR ASSEMBLY - HINGE - BASE CABINET HINGE	1



640p0114

Figure 37. Bottled Water Pump Option

**TABLE 37. BOTTLED WATER PUMP OPTION**

INDEX	PART NUMBER	DESCRIPTION	QTY
-	P6400827	BOTTLED WATER PUMP PACKAGE - 115 VAC (INCLUDES INDEX ITEMS 1-6)	OPT
1	6408217	PUMP - WATER -115 VAC	1
2	6408214	FITTING 3/8 OD X 1/4 NPT	1
3	6408221	FITTING - 1/4 OD X 1/4 NPT	1
4	6408222	TUBE - COPPER - 120 IN LENGTH (MADE FROM TUPING - COPPER - 0.250 ID X 0.028 WALL, PN 9082699	1
5	6408213	COVER/FILTER - WATER BOTTLE	1
6	6408219	TUBE - PLASTIC - WATER BOTTLE - 120 IN LENGTH (MADE FROM PLASTIC TUBING, 3/8 IN DIA PN 6408220)	1

**TABLE 38. TUBING**

INDEX	PART NUMBER	DESCRIPTION	QTY
-	3618105	TUBING - SILICONE - 0.375 ID X 0.562 OD - VARIOUS LENGTH SECTIONS (USED FOR WATER AND PRODUCT DISTRIBUTION) (NUMBER AND LENGTH OF SECTIONS DEPENDENT ON SELECT WHIPPER OPTION)	AR
-	6408219	TUBE - PLASTIC - WATER BOTTLE (MADE FROM 3/8 DIA TUBING - PLASTIC PN 6408220)(USED WITH BOTTLED WATER PUMP PACKAGE)	OPT
-	6404045	TUBE (BREWER PUMP TO FRESH BREW COFFEE WHIPPER) (MADE FROM TUBE PHARMED - 0.38 OD X 0.25 ID, PN 6404059)	1
-	6408200	TUBE - WATER INLET (CONNECTS BETWEEN TOP OF WATER INLET VALVE ASSEMBLY AND TOP PORT OF WATER TANK) (MADE FROM TUBING -3168123 UK AQUAVEND 0.375 ID	1

**TABLE 39. HARNESES**

PART NUMBER	DESCRIPTION
6849011	HARNESS-DISPLAY (J33-J45)
6849001	HARNESS-VALVES (J184A-J184B-J24A-J24-J21-J22-J23-J65)
6849007	HARNESS-WHIPPER & BREW MOTOR (J180-J181-J182-J183-J177-J25A-J61)
6849003	HARNESS-XFMR TO PCB (J37-J97-J44-J45)
6849004	HARNESS-HEATER (J164-J191-J188-J190)
1475119	JUMPER-GROUND WIRE
6849002	HARNESS-CABINET AC (J161-J162-J163-J164-J120-J19-J35-J63)
6849012	HARNESS-DOOR SWITCH (J34-J16)
6849015	JUMPER-POWER SWITCH (J4-J14-J94)
9989637	JUMPER-BLOWER
6849009	HARNESS-BREWER-SWITCHES (J57-J129 HOME-J128 CLAMP-J127 PAPER)
9989781	POWER CORD-14AWG-DOM.
6849006	HARNESS-CHANGER-DOM (J138-J140-J101)
6849010	HARNESS-MDB (J200-J39-J38)
6849016	JUMPER-PCB-TO FAN (J71-J71A)
6849005	HARNESS-FLOAT SWITCHES (J31 TANK LOW-J284)